

CHIPPER BODIES





HIGHLIGHTED FEATURES

- 6" Unibody Longsills
- 3" lower center of gravity in comparison to crossmember designs
- Single latch barn door for quick and efficient access to materials
- Aluminum floor, sides and barn door design provides increased payload capacity without sacrificing quality.

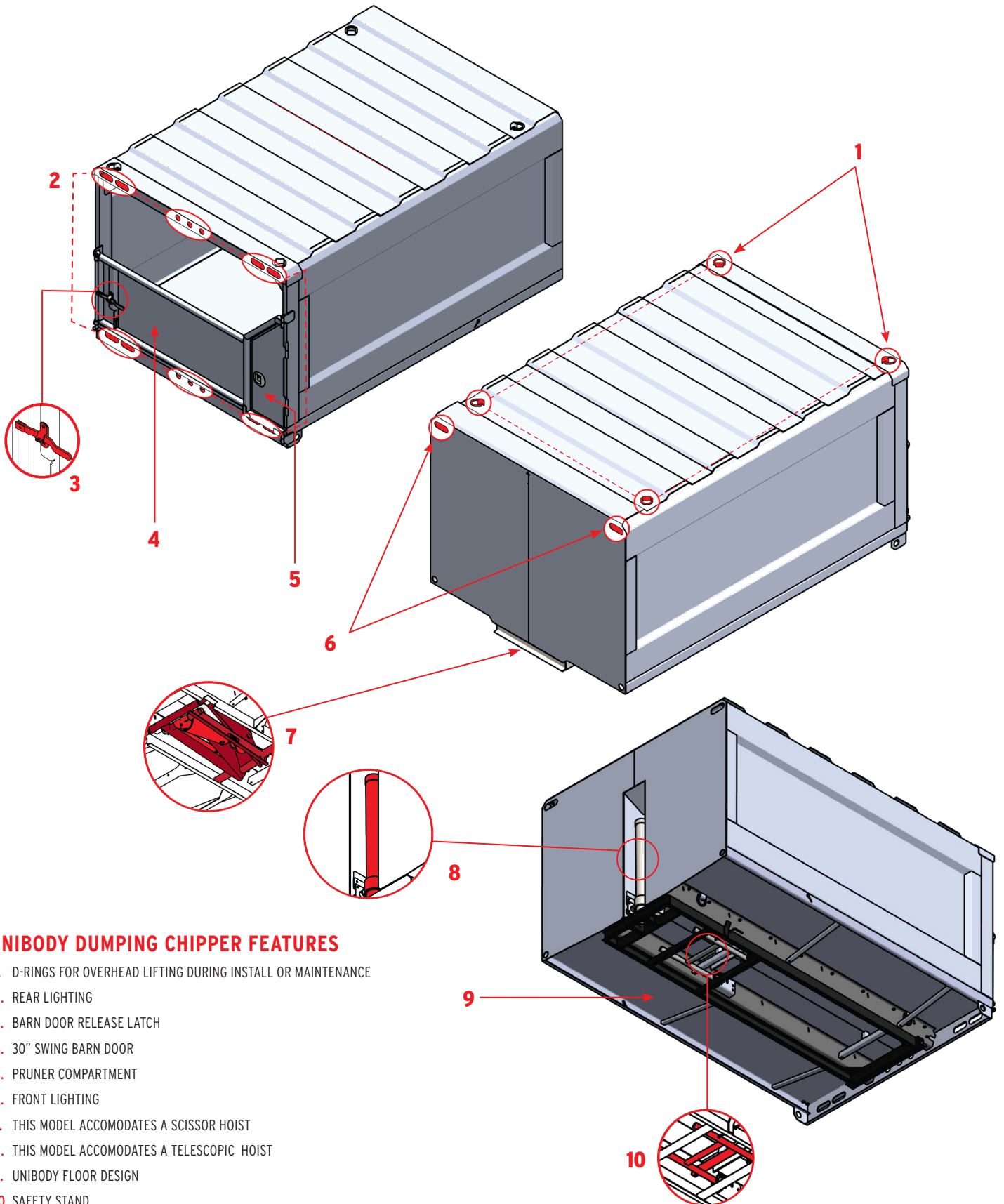
An industry staple since 2003, Voth's signature Unibody is the foundation to this all-aluminum chipper body. With a smooth understructure and low mounting height, Voth's Unibody design is created for heavy-duty service. The low mounting height of this Unibody allows for a lower center of gravity in comparison to traditional crossmember floor design while maintaining the build integrity, stability on the road and on the jobsite. This aluminum dumping chipper body offers an increased payload capacity and fuel efficiency, saving your business time and money on the jobsite.



ALUMINUM UNIBODY DUMPING CHIPPER

UNIBODY SIZE	9'9"	11'9"	12'9"	13'9"	16'
INSIDE WIDTH OF BODY	78" + Prunner Compartment	78" + Prunner Compartment	78" + Prunner Compartment	78" + Prunner Compartment	74" + Prunner Compartment
RECOMMENDED CA	60" CA	84" CA	108" CA	120" CA	
HEADBOARD HEIGHT	66"	66"	66"	66"	72"
TAILGATE STYLE	30" Swing Door	30" Swing Door	30" Swing Door	30" Swing Door	30" Barn Door
SIDE HEIGHT	78"	78"	78"	78"	88"
SIDE, ROOF, BARN DOOR MATERIAL	Aluminum (5052 & 5083)	Aluminum (5052 & 5083)	Aluminum (5052 & 5083)	Aluminum (5052 & 5083)	Aluminum (5052 & 5083)
FLOOR MATERIAL	Aluminum 5083	Aluminum 5083	Aluminum 5083	Aluminum 5083	Aluminum 5083
STANDARD LIGHTING	4 - STT, 2 Reverse, 6 Rear Markers, 2 Front Markers, 2 Rear Strobes, 2 Front Strobes	4 - STT, 2 Reverse, 6 Rear Markers, 2 Front Markers, 2 Rear Strobes, 2 Front Strobes	4 - STT, 2 Reverse, 6 Rear Markers, 2 Front Markers, 2 Rear Strobes, 2 Front Strobes	4 - STT, 2 Reverse, 6 Rear Markers, 2 Front Markers, 2 Rear Strobes, 2 Front Strobes	2 - STT, 2 Reverse, 3 Rear Markers, 2 Front Markers, 2 Rear Strobes, 2 Front Strobes
HOIST OPTIONS	12 Ton Eagle Telescopic (Inverted) / 10 Ton Mailhot Telescopic (Trunnion) / 15 Ton Champion Scissor	12 Ton Eagle Telescopic (Inverted) / 10 Ton Mailhot Telescopic (Trunnion) / 15 Ton Champion Scissor	12 Ton Eagle Telescopic (Inverted) / 10 or 20 Ton Mailhot Telescopic (Trunnion) / 20 Ton Champion Scissor	12 Ton Eagle Telescopic (Inverted) / 10 or 20 Ton Mailhot Telescopic (Trunnion) / 20 Ton Champion Scissor	30 Ton Mailhot Telescopic
WEIGHT RANGE	1800 - 1870	2050 - 2120	2160 - 2511	2294 - 2645	3254
DUMP ANGLE	45°>	45°>	45°>	45°>	51°
REMOVABLE ROOF	-	-	-	-	3 pieces

Specs subject to change without notice. Consult with factory for more information.



UNIBODY DUMPING CHIPPER FEATURES

1. D-RINGS FOR OVERHEAD LIFTING DURING INSTALL OR MAINTENANCE
2. REAR LIGHTING
3. BARN DOOR RELEASE LATCH
4. 30" SWING BARN DOOR
5. PRUNER COMPARTMENT
6. FRONT LIGHTING
7. THIS MODEL ACCOMODATES A SCISSOR HOIST
8. THIS MODEL ACCOMODATES A TELESCOPIC HOIST
9. UNIBODY FLOOR DESIGN
10. SAFETY STAND

UNIBODY WITH CROSSBOX

HIGHLIGHTED FEATURES

- Compatible with select Voth aluminum crossboxes, offering specialized features to support arborists daily work
- Pruner Compartment for equipment storage
- Underbody Scissor Hoist
- Optional add-ons include pad box storage

Supporting the arborist industry with added storage, this design is built on Voth's signature Unibody design with added features to support arborists at work. This build is compatible with four crossbox designs, two of which include slide-out drawers and storage hooks for tree care equipment.



ALUMINUM UNIBODY DUMPING CHIPPER WITH CROSSBOX COVER

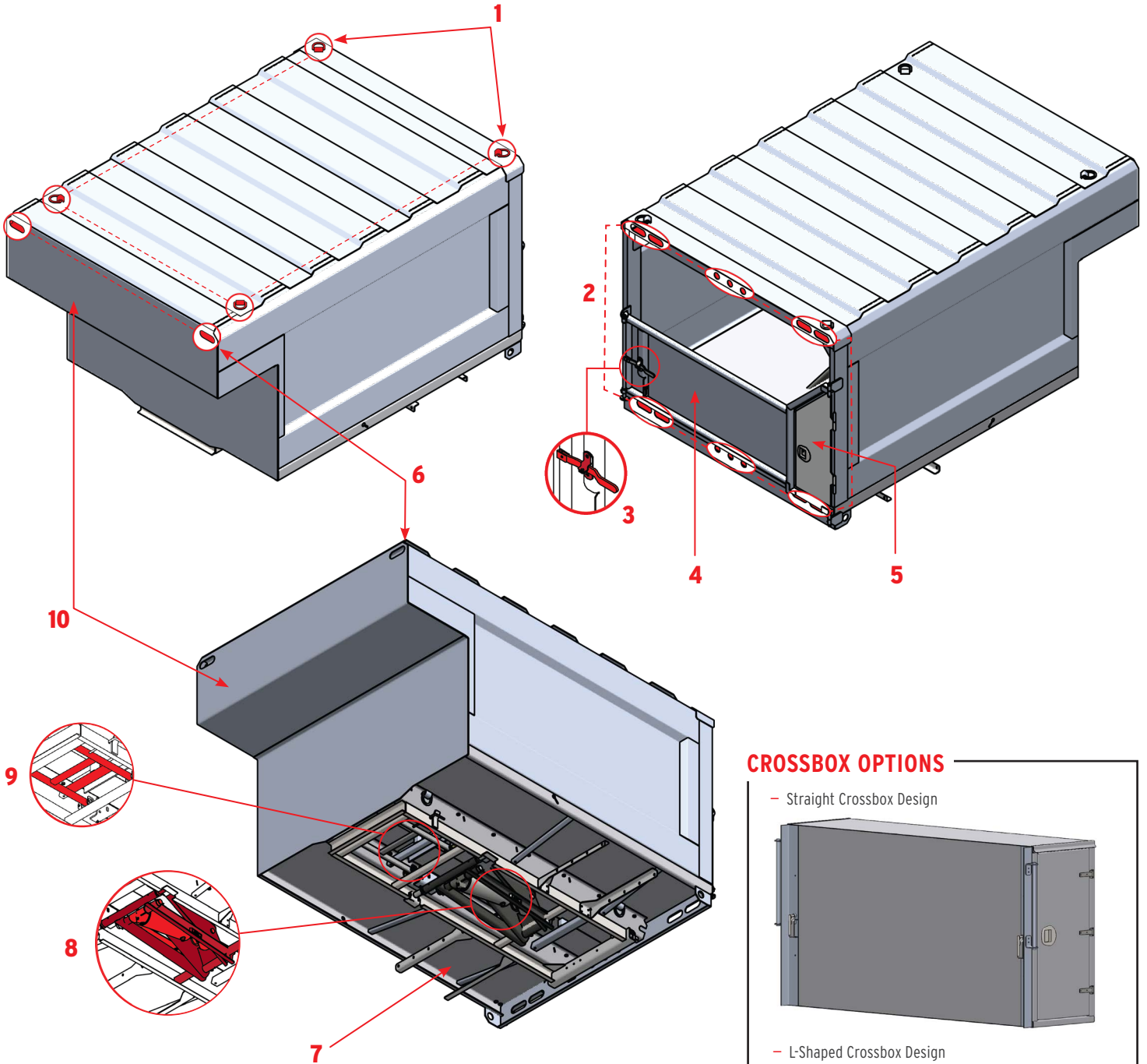
UNIBODY SIZE	11'9"	13'9"
INSIDE WIDTH OF BODY	78" + Pruner Compartment	78" + Pruner Compartment
RECOMMENDED CA	84" CA	120" CA
HEADBOARD HEIGHT	51" under CB Cover	52" under CB Cover
TAILGATE STYLE	30" Swing Door	30" Swing Door
SIDE HEIGHT	78"	79"
SIDE, ROOF, BARN DOOR MATERIAL	Aluminum (5052 & 5083)	Aluminum (5052 & 5083)
FLOOR MATERIAL	Aluminum 5083	Aluminum 5083
STANDARD LIGHTING	4 - STT, 2 Reverse, 6 Rear Markers, 2 Front Markers, 2 Rear Strobes, 2 Front Strobes	4 - STT, 2 Reverse, 6 Rear Markers, 2 Front Markers, 2 Rear Strobes, 2 Front Strobes
HOIST	15 Ton Champion Scissor	20 Ton Champion Scissor
WEIGHT RANGE	2025 lbs	2380 lbs
DUMP ANGLE	45°>	45°>
COMPATIBLE WITH	All four crossbox options	All four crossbox options



CROSSBOX OPTIONS:

STRAIGHT CROSSBOX	L-SHAPED CROSSBOX
CBA245096-LK-D2-VTB	CBALS245096-24LK-D2-VTB
- Single shelf	- Single shelf
CBA245096-LK-VTB	CBALS245096-24LK-ASSY-VTB
- 3 Slide Out Drawers	- 3 Slide Out Drawers
- Double Rope Hanger	- Double Rope Hanger
- Locking Mechanism	- Locking Mechanism

Specs subject to change without notice. Consult with factory for more information.

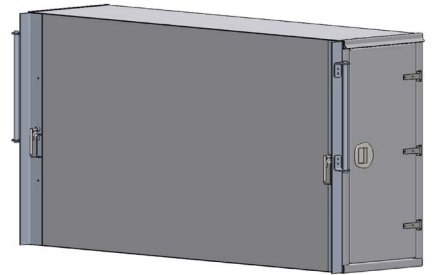


UNIBODY DUMPING CHIPPER WITH CROSSBOX COVER FEATURES

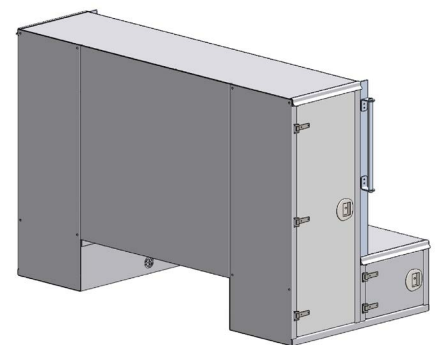
- 1. D-RINGS FOR OVERHEAD LIFTING DURING INSTALL OR MAINTENANCE
- 2. REAR LIGHTING
- 3. BARN DOOR RELEASE LATCH
- 4. 30" SWING BARN DOOR
- 5. PRUNER COMPARTMENT
- 6. FRONT LIGHTING
- 7. UNIBODY FLOOR DESIGN
- 8. SCISSOR HOIST
- 9. SAFETY STAND
- 10. CROSSBOX COVER

CROSSBOX OPTIONS

- Straight Crossbox Design



- L-Shaped Crossbox Design



REMOVABLE CHIPPER HOOD

HIGHLIGHTED FEATURES

- Designed to fit Voth Unibody Dump and Job Boss Dump Designs
- Supports yard and tree care work converting your dump body to a chipper body
- D-Rings for safe and efficient removal when not at use



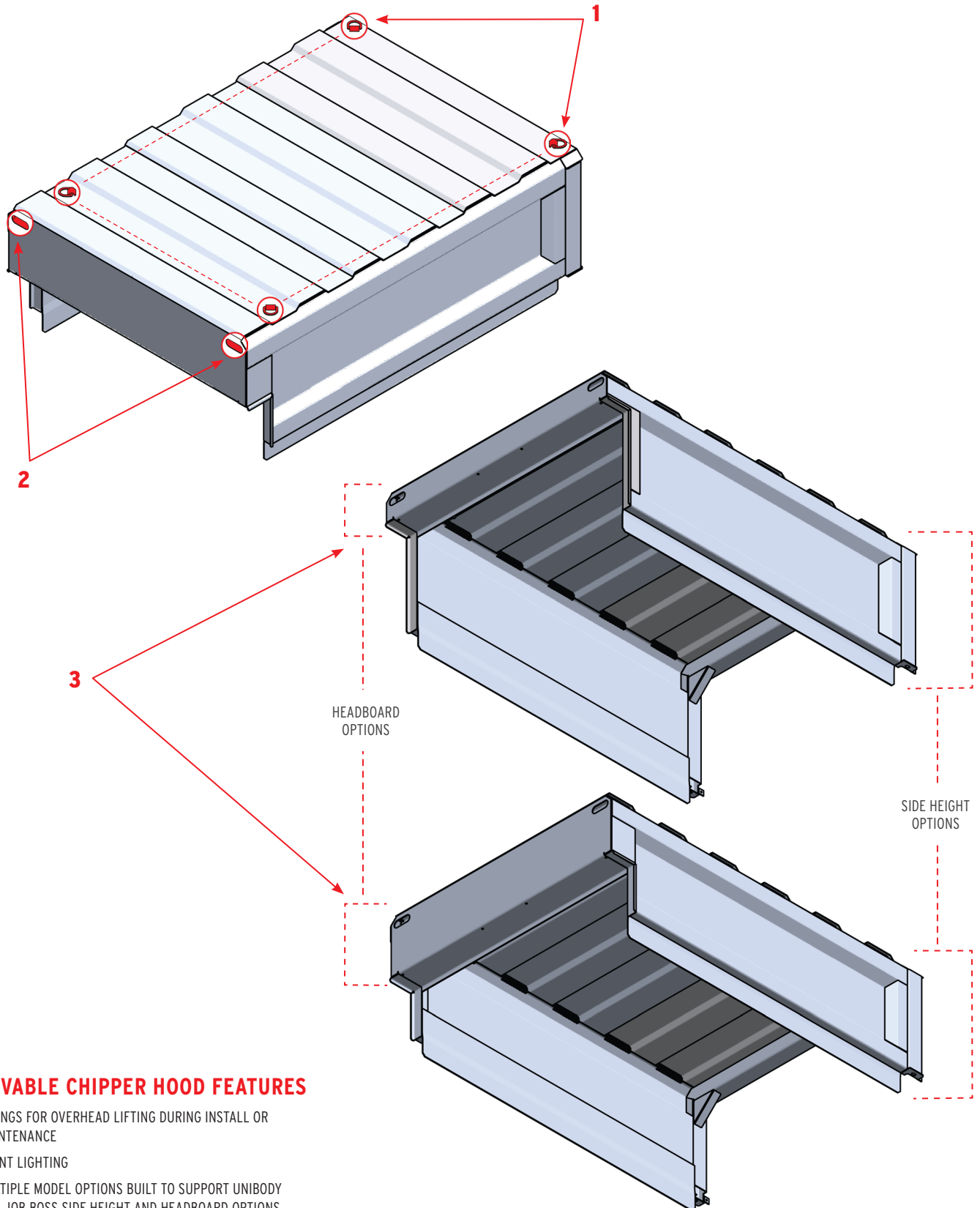
REMOVABLE CHIPPER HOOD

	FITS UNIBODY DUMP BODIES				FITS JOB BOSS DUMP BODIES	
	9'9"	11'9"	12'9"	13'9"	9'4"	11'4"
UNIBODY SIZE	9'9"	11'9"	12'9"	13'9"	9'4"	11'4"
INSIDE WIDTH OF BODY	96"	96"	96"	96"	96"	96"
SIDE WALL HEIGHT	45"/39"	45"/39"	45"/39"	45"/39"		
INSIDE HEIGHT	66"	66"	66"	66"	66"	66"
NUMBER OF ROOF VENTS	10	12	12	14	10	12
MATERIAL*	3/16" Aluminum 5052 H32	3/16" Aluminum 5052 H32	3/16" Aluminum 5052 H32	3/16" Aluminum 5052 H32	3/16" Aluminum 5052 H32	3/16" Aluminum 5052 H32
REAR LIGHTING	3 - Markers, 2 - Amber Strobes	3 - Markers, 2 - Amber Strobes	3 - Markers, 2 - Amber Strobes	3 - Markers, 2 - Amber Strobes	3 - Markers, 2 - Amber Strobes	3 - Markers, 2 - Amber Strobes
REAR LIGHTING	Wire Harness Included	Wire Harness Included	Wire Harness Included	Wire Harness Included	Wire Harness Included	Wire Harness Included
D-RINGS ON ROOF	4	4	4	4	4	4
TARP SYSTEM	Cabshield must be removed	Cabshield must be removed	Cabshield must be removed	Cabshield must be removed	Cabshield must be removed	Cabshield must be removed
WEIGHT RANGE	650 / 600	750 / 700	800 / 750	850 / 800	650 / 600	750 / 700
HEADBOARD HEIGHT MATCHES AVAILABLE	53" / 60" / 66"	53" / 60" / 66"	53" / 60" / 66"	53" / 60" / 66"	55"	55"
COMPATIBLE WITH	Voth Steel / Aluminum 9'9" Dump Bodies	Voth Steel / Aluminum 11'9" Dump Bodies	Voth Steel / Aluminum 12'9" Dump Bodies	Voth Steel / Aluminum 13'9" Dump Bodies	Job Boss Steel / Aluminum 9'4" Dump Bodies	Job Boss Steel / Aluminum 11'4" Dumps

* Majority of the body is made by

Specs subject to change without notice. Consult with factory for more information.

REMOVABLE CHIPPER HOOD



REMOVABLE CHIPPER HOOD FEATURES

1. D-RINGS FOR OVERHEAD LIFTING DURING INSTALL OR MAINTENANCE
2. FRONT LIGHTING
3. MULTIPLE MODEL OPTIONS BUILT TO SUPPORT UNIBODY AND JOB BOSS SIDE HEIGHT AND HEADBOARD OPTIONS

URBAN FORESTRY

AERIAL & CAB PLATFORM

HIGHLIGHTED FEATURES

- Built exclusively for Dur-A-Lift Inc and their US Distributor Network
- Supports tree care in urban and residential settings
- Three available length configurations



The Urban Forestry Body is your solution to aerial tree care and removal. Built exclusively with Dur-A-Lift Inc., the Urban Forestry Body combines Voth's signature aluminum Unibody chipper body with a walking platform and aerial system. With three size options, the Urban Forestry Body supports your crew in any job from urban and residential areas to rural tree removal. To select the best configuration for your chassis and work purposes, contact our sales team for more information.



URBAN FORESTRY AERIAL & CAB PLATFORM

VTBDC007

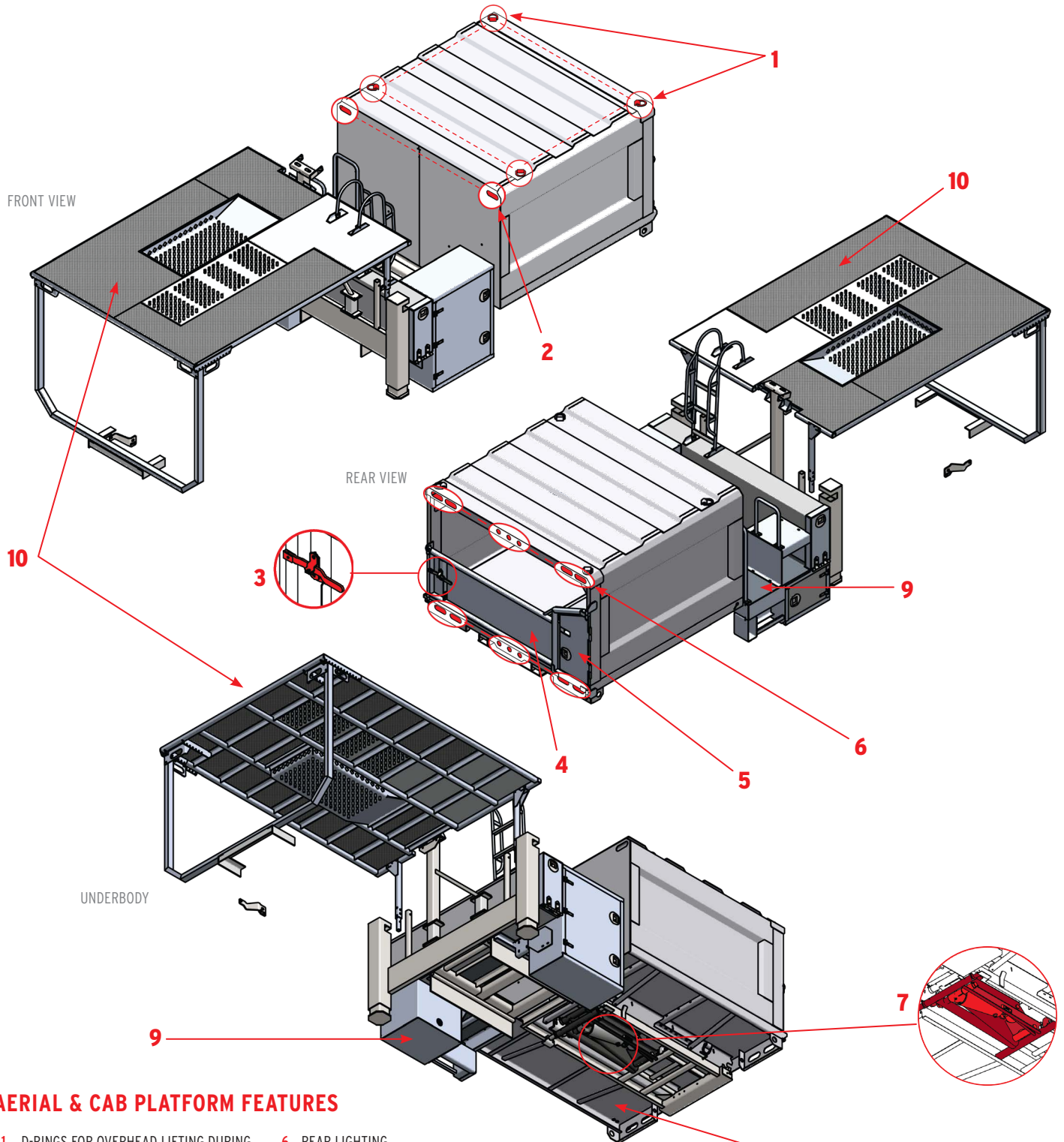
UNIBODY SIZE	7'6"
UNIBODY CHIPPER	DBACHIP765424BD-SL
CHASSIS, CLASS REQUIRED, CA	Class 5/6 **
TOTAL WEIGHT OF PACKAGE	2510 lbs
TAILGATE STYLE	Single Swing Door
SIDE, ROOF, BARN DOOR MATERIAL	3/16" Aluminum 5052
FLOOR MATERIAL	1/4" Aluminum 5083
REMOVABLE ROOF	No
HOIST	15 Ton, Scissor Lift
DUMP ANGLE	45°
STANDARD LIGHTING	4-STT, 2 Reverse, 6 Rear Markers, 2 Front Markers, 2 Rear Strobes, 2 Front Strobes
PLATFORM OVER CAB	ALMPF12046
AERIAL PLATFORM INCLUDED	ALMPF12280-RBG-TBA
LADDER TO CAB PLATFORM	ALML13315



** For this model, customer must verify chassis compatibility with Distributor.
Specs subject to change without notice. Consult with factory for more information.

URBAN FORESTRY

AERIAL & CAB PLATFORM

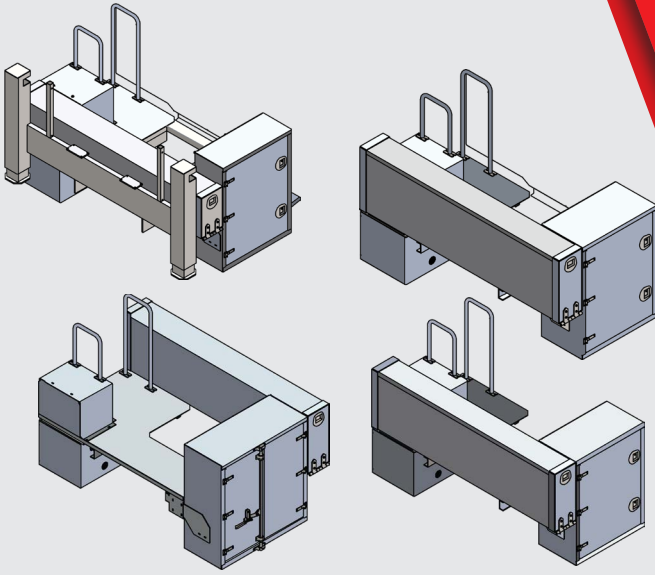


AERIAL & CAB PLATFORM FEATURES

- | | |
|---|-------------------------|
| 1. D-RINGS FOR OVERHEAD LIFTING DURING INSTALL OR MAINTENANCE | 6. REAR LIGHTING |
| 2. FRONT LIGHTING | 7. SCISSOR HOIST |
| 3. RELEASE LATCH | 8. UNIBODY FLOOR DESIGN |
| 4. BARN DOOR | 9. AERIAL PLATFORM |
| 5. PRUNER COMPARTMENT | 10. CAB PLATFORM |

URBAN FORESTRY

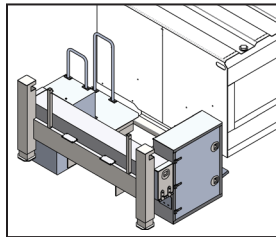
AERIAL PLATFORM ONLY



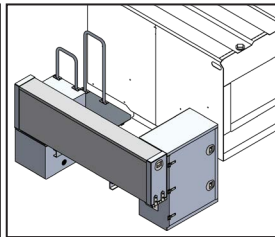
HIGHLIGHTED FEATURES

- Aerial platforms with provisions for hydraulic controls and storage
- Provides safe access to operate aerial unit
- Available in multiple configurations
- For specific measurements and configurations please contact manufacturing division

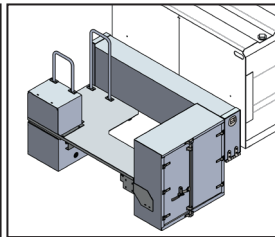
URBAN FORESTRY AERIAL PLATFORM



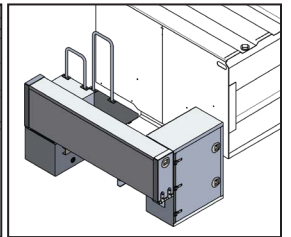
VTBDC003



VTBDC004



VTBDC008



VTBDC009

UNIBODY SIZE	9'9"	7'6"	11'9"	9'9"
CHASSIS, CLASS REQUIRED, CA	Class 5/6	Class 5/6	Class 5/6	Class 5/6
TOTAL WEIGHT OF PACKAGE	2284 lbs	2030 lbs	2590 lbs	2310 lbs
TAILGATE STYLE	Single Swing Door	Single Swing Door	Single Swing Door	Single Swing Door
SIDE, ROOF, BARN DOOR MATERIAL	3/16" Aluminum 5052	3/16" Aluminum 5052	3/16" Aluminum 5052	3/16" Aluminum 5052
FLOOR MATERIAL	1/4" Aluminum 5083	1/4" Aluminum 5083	1/4" Aluminum 5083	1/4" Aluminum 5083
REMOVABLE ROOF	No	No	No	No
HOIST	15 Ton, Scissor Lift	15 Ton, Scissor Lift	15 Ton, Scissor Lift	15 Ton, Scissor Lift
DUMP ANGLE	45°>	45°>	45°>	45°>
STANDARD LIGHTING	4-STT, 2 Reverse, 6 Rear Markers, 2 Front Markers, 2 Rear Strobes, 2 Front Strobes	4-STT, 2 Reverse, 6 Rear Markers, 2 Front Markers, 2 Rear Strobes, 2 Front Strobes	4-STT, 2 Reverse, 6 Rear Markers, 2 Front Markers, 2 Rear Strobes, 2 Front Strobes	4-STT, 2 Reverse, 6 Rear Markers, 2 Front Markers, 2 Rear Strobes, 2 Front Strobes
PLATFORM OVER CAB	No	No	No	No
AERIAL PLATFORM INCLUDED	ALMPF12280-TBA	ALMPF12280-RBG-TBA	ALMPF12280-D4-TBA	ALMPF12280-RBG-TBA
COMPONENTS - BODY	DBACHIP995424BD-SL	DBACHIP765424BD-SL	DBACHIP1195424BD-SL	DBACHIP995424BD-SL

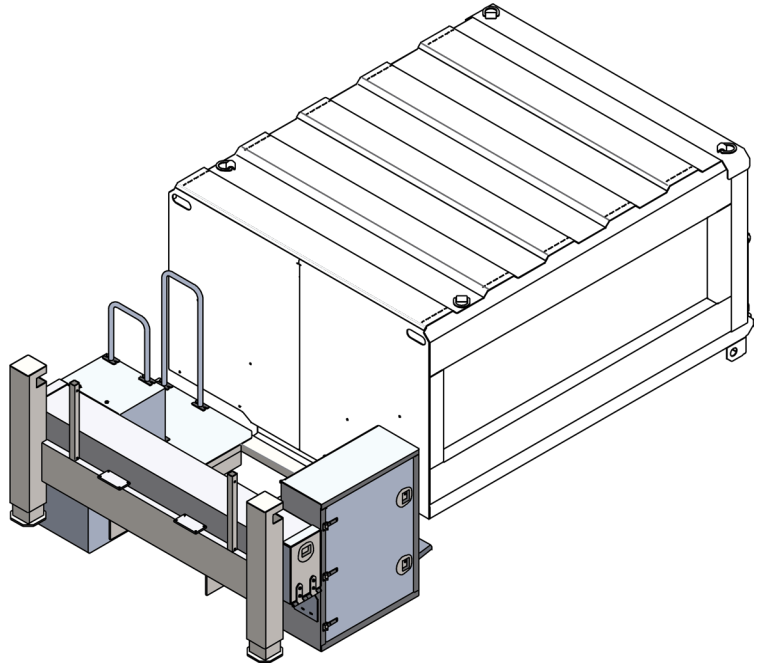
Specs subject to change without notice. Consult with factory for more information.

URBAN FORESTRY

AERIAL PLATFORM ONLY

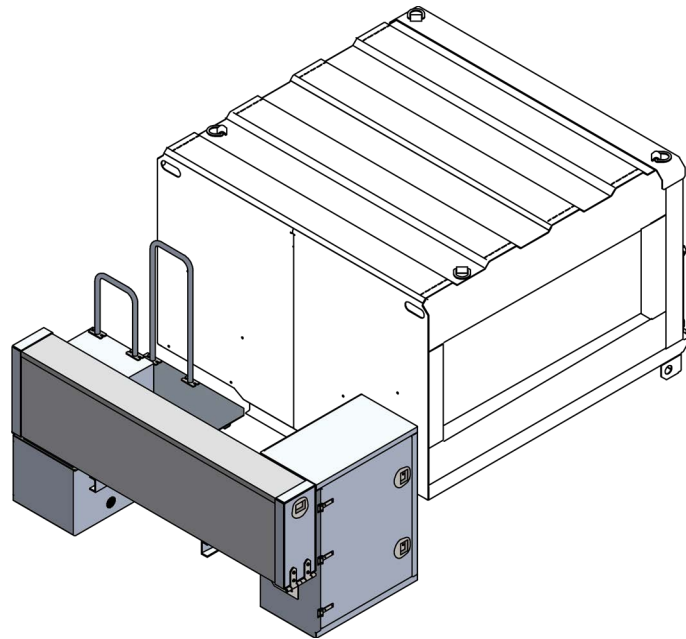
VTBDC003 9'9" URBAN FORESTRY AERIAL PLATFORM

UNIBODY SIZE	9'9"
CHASSIS, CLASS REQUIRED, CA	Class 5/6
TOTAL WEIGHT OF PACKAGE	2284 lbs
TAILGATE STYLE	Single Swing Door
SIDE, ROOF, BARN DOOR MATERIAL	3/16" Aluminum 5052
FLOOR MATERIAL	1/4" Aluminum 5083
REMOVABLE ROOF	No
HOIST	15 Ton, Scissor Lift
DUMP ANGLE	45°>
STANDARD LIGHTING	<ul style="list-style-type: none"> • 4-STT • 2 Reverse • 6 Rear Markers • 2 Front Markers • 2 Rear Strobes • 2 Front Strobes
AERIAL PLATFORM CAB	Yes
AERIAL PLATFORM INCLUDED	ALMPF12280-TBA
COMPONENTS - BODY	DBACHIP995424BD-SL



VTBDC004 7'6" URBAN FORESTRY AERIAL PLATFORM

UNIBODY SIZE	7'6"
CHASSIS, CLASS REQUIRED, CA	Class 5/6
TOTAL WEIGHT OF PACKAGE	2030 lbs
TAILGATE STYLE	Single Swing Door
SIDE, ROOF, BARN DOOR MATERIAL	3/16" Aluminum 5052
FLOOR MATERIAL	1/4" Aluminum 5083
REMOVABLE ROOF	No
HOIST	15 Ton, Scissor Lift
DUMP ANGLE	45°>
STANDARD LIGHTING	<ul style="list-style-type: none"> • 4-STT • 2 Reverse • 6 Rear Markers • 2 Front Markers • 2 Rear Strobes • 2 Front Strobes
PLATFORM OVER CAB	No
AERIAL PLATFORM INCLUDED	ALMPF12280-RBG-TBA
COMPONENTS - BODY	DBACHIP765424BD-SL

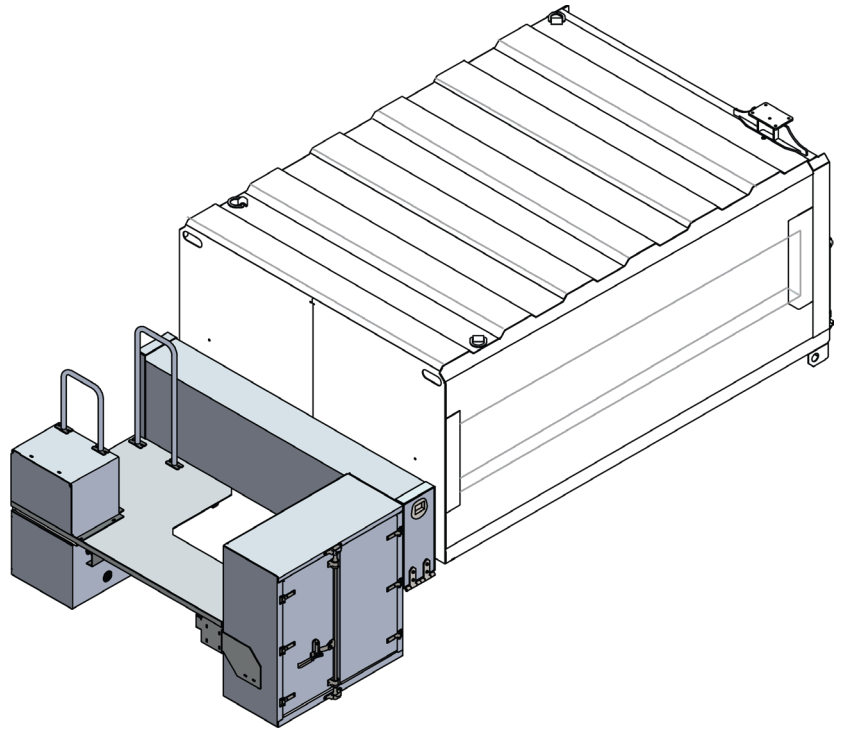


URBAN FORESTRY

AERIAL PLATFORM ONLY

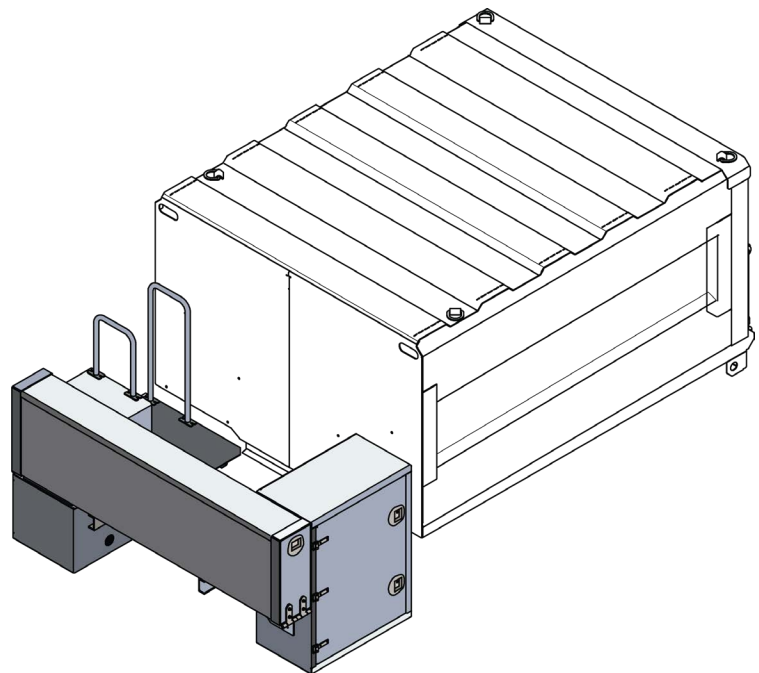
VTBDC008 11'9" URBAN FORESTRY AERIAL PLATFORM

UNIBODY SIZE	11'9"
CHASSIS, CLASS REQUIRED, CA	Class 5/6
TOTAL WEIGHT OF PACKAGE	2590 lbs
TAILGATE STYLE	Single Swing Door
SIDE, ROOF, BARN DOOR MATERIAL	3/16" Aluminum 5052
FLOOR MATERIAL	1/4" Aluminum 5083
REMOVABLE ROOF	No
HOIST	15 Ton, Scissor Lift
DUMP ANGLE	45°>
STANDARD LIGHTING	<ul style="list-style-type: none"> • 4-STT • 2 Reverse • 6 Rear Markers • 2 Front Markers • 2 Rear Strobes • 2 Front Strobes
PLATFORM OVER CAB	No
AERIAL PLATFORM INCLUDED	ALMPF12280-D4-TBA
COMPONENTS - BODY	DBACHIP1195424BD-SL



VTBDC009 9'9" URBAN FORESTRY AERIAL PLATFORM

UNIBODY SIZE	9'9"
CHASSIS, CLASS REQUIRED, CA	Class 5/6
TOTAL WEIGHT OF PACKAGE	2310 lbs
TAILGATE STYLE	Single Swing Door
SIDE, ROOF, BARN DOOR MATERIAL	3/16" Aluminum 5052
FLOOR MATERIAL	1/4" Aluminum 5083
REMOVABLE ROOF	No
HOIST	15 Ton, Scissor Lift
DUMP ANGLE	45°>
STANDARD LIGHTING	<ul style="list-style-type: none"> • 4-STT • 2 Reverse • 6 Rear Markers • 2 Front Markers • 2 Rear Strobes • 2 Front Strobes
PLATFORM OVER CAB	No
AERIAL PLATFORM INCLUDED	ALMPF12280-RBG-TBA
COMPONENTS - BODY	DBACHIP995424BD-SL





VOTH WARRANTY

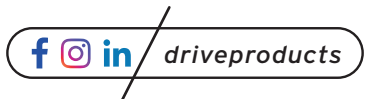
Voth Truck Bodies provides a 3-year warranty on items manufactured by Voth Truck Bodies.

VENDOR WARRANTY POLICIES

Telescopic cylinders come with a 1-year manufacturers warranty.

Electric/ Hydraulic power packs come with a 1-year manufacturers warranty.

CONNECT WITH US ON OUR SOCIALS!



KEY CONTACTS

FRANK VOTH - *President & Sales Canadian Distributor Inquiries*

T: 519.842.7200 x 3142 **F:** 519.842.7230 **E:** frank@vothsales.com

STEVE VOTH - *Operations Manager*

T: 519.842.7200 x 3143 **F:** 519.842.7230 **E:** steve@vothsales.com

CHRIS GOLETZ - *US Sales Eastern USA*

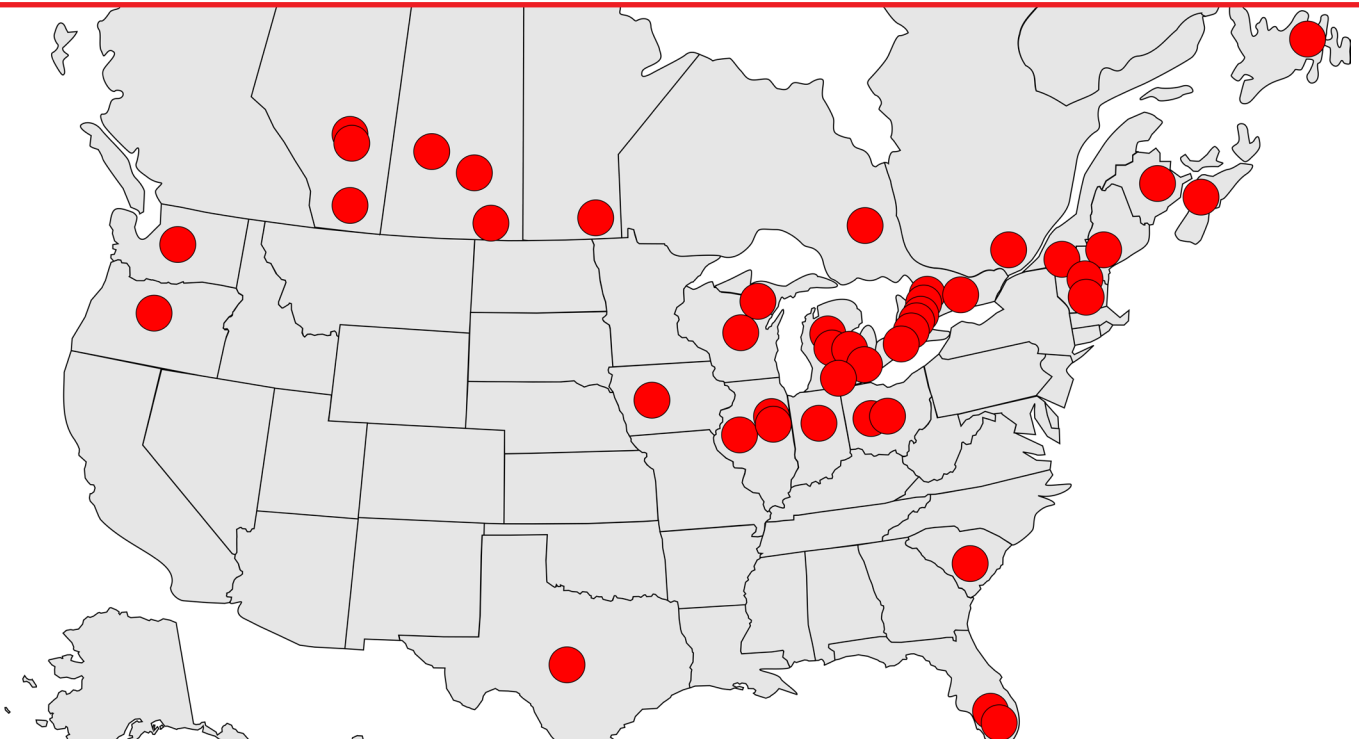
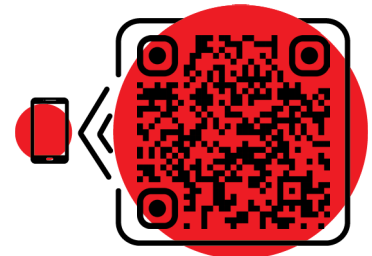
T: 262.294.1588 **E:** cgoletz@driveproducts.com

KENAN COLIC - *Manufacturing Division Inside Sales*

T: 1.800.668.6012 x 3148 **E:** vothdistribution@driveproducts.com

DISTRIBUTOR MAP

To find your distributor please visit
vothtruckbodies.com/distributor-map





Voth Truck Bodies serves Canada and the U.S. with steel, aluminum, and hybrid truck bodies. Supporting a variety of industries, Voth has built a strong relationship with the landscape and tree care industries with their unibody dump body design and a range of chipper body and forestry body designs. A member of Drive Products Manufacturing, Voth Truck Bodies are now manufactured in three facilities across Canada. In addition to Voth's signature line of truck bodies, these facilities also manufacture Kargo King Roll-Off Systems, Big Max Roll-Off Systems and more.



Courtland Manufacturing Facility: 130,000 sq.ft



Morden Manufacturing Facility: 56,000 sq.ft



Winsor Manufacturing Facility: 85,000 sq.ft



- 66 Norfolk County Rd #13 Courtland ON NOJ 1E0
- 519.842.7200
- vothdistribution@driveproducts.com

For more info visit our websites:
www.vothtruckbodies.com
www.driveproducts.com