

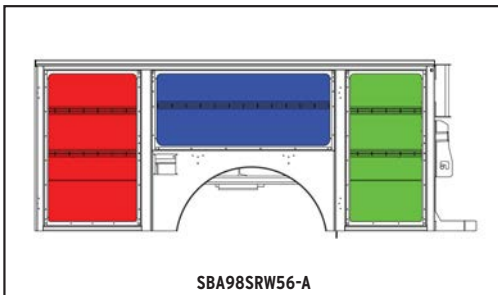
# ALUMINUM SERVICE BODIES



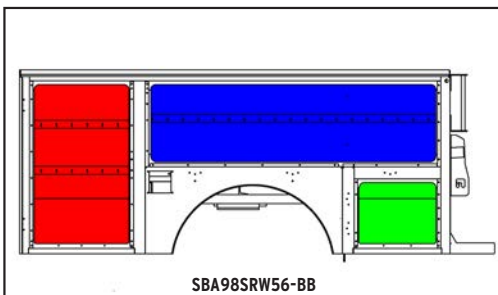
# 56CA BODIES

Voth's all-aluminum service body is known for its strength and reliability, crafted from premium 5052-H32 marine-grade aluminum. Its heavy-gauge construction ensures durability on the job site and at 45% lighter than steel, it enhances fuel efficiency and maximizes payload capacity, offering a smarter, more cost-effective solution for your business.

The standard offering comes with all the features you need to get the job done right!

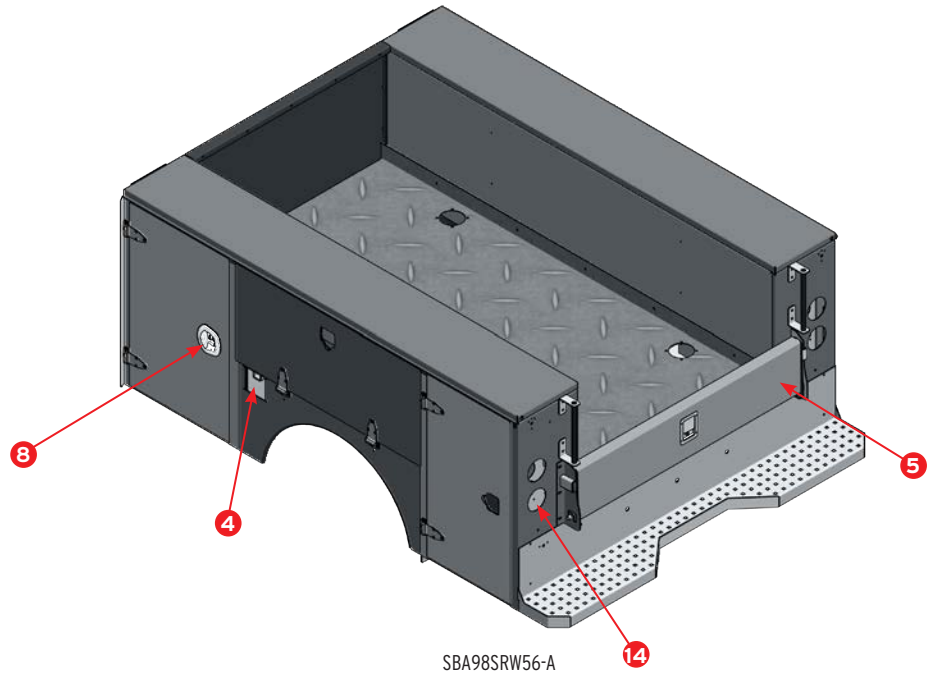


Body Length	Body Width	Body Height	Body Material	Compartment Size		
				A (Red)	B (Blue)	C (Green)
98.00 in (8.16 ft)	81.45 in (6.78 ft)	42.00 in (3.5 ft)	0.125" Welded 5050 - H32 Aluminum	21.62 in x 36.31 in (1.80 ft x 3.02 ft)	42.50 in x 17.68 in (3.54 ft x 1.47 ft)	17.62 in x 36.31 in (1.46 ft x 3.02 ft)

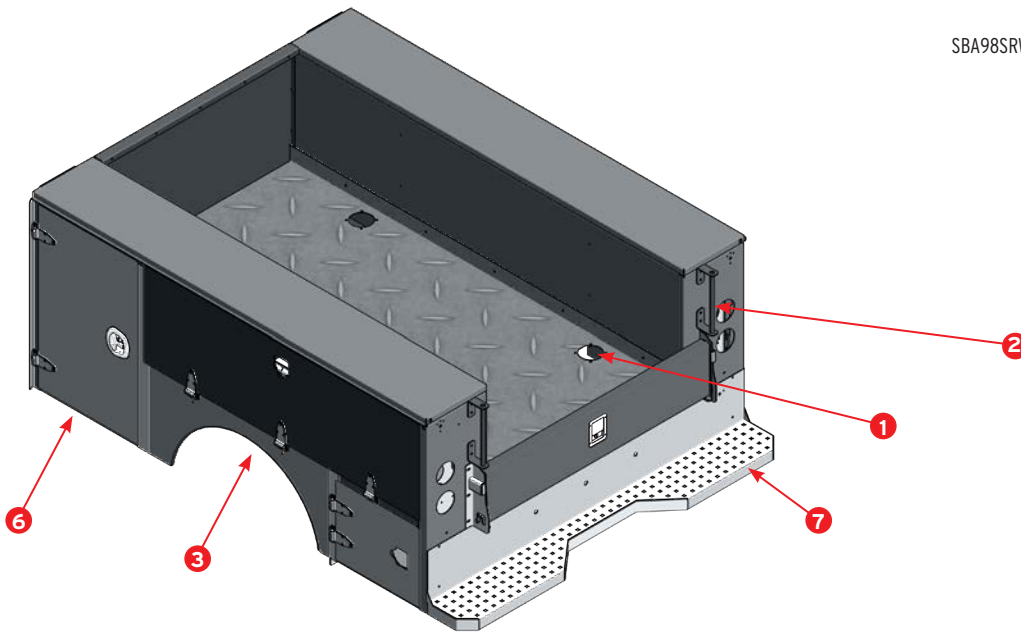


Body Length	Body Width	Body Height	Body Material	Compartment Size		
				A (Red)	B (Blue)	C (Green)
98.00 in (8.16 ft)	81.45 in (6.78 ft)	42.00 in (3.5 ft)	0.125" Welded 5050 - H32 Aluminum	21.62 in x 36.31 in (1.80 ft x 3.02 ft)	65.06 in x 17.68 in (5.42 ft x 1.47 ft)	13.93 in x 17.625 in (1.16 ft x 1.46 ft)

# 56CA BODIES



SBA98SRW56-A



SBA98SRW56-BB

## STANDARD 56CA SERVICE BODY FEATURES

### Body Features

1. FOUR 2000LBS SWIVEL TIE DOWNS IN LOAD SPACE
2. TWO REAR GUARD HANDLES
3. FRONT GRAVEL AND WHEEL WELL GUARDS
4. FUEL FILL GAUGE
5. 11" TAILGATE
6. POWDER COAT WHITE - PAINT
7. RECESSED 10" BUMPER

### Door and Security Features

8. STAINLESS WHALE TAIL HANDLES
9. THREE POINT LOCKING SYSTEM
10. DUAL AUTOMOTIVE DOOR SEALS
11. FORMED DRIP EDGE
12. MASTER LOCKING SYSTEM
13. GAS SHOCK DOOR HOLDERS (VERTICAL), CHAINS (HORIZONTAL)

### Lighting Features

14. LED STOP / TAIL / TURN LIGHT
15. LED ROPE LIGHTING IN ALL COMPARTMENTS

# 56CA BODIES

Mounting Kits	
GW-STDSB-MTG-DODGE-KIT	RAM Mounting Kit, 56CA, pre-2016
GW56CA-RAM25-3500-MTG-KIT-2017	RAM Mounting Kit, 56CA, 2017+
GW-STDSB-MTG-GM2500-KIT-2018	GM Mounting Kit, 2500/3500, 2017-2018
GW56CA-GM25-3500-MTG-KIT-2020	GM Mounting Kit, 2500/3500, 2020+
SB-MTG-F250PU-KIT-2017	Ford Mounting Kit, 56CA

*\*Cannot be mounted on RAM 3500 Box Delete\**

Bumpers (Optional)	
Work Bench Bumper, 21" Platform, Stabilizer Cut Out, 80" Wide	WBCB-ASSY

Drawers		
Part Number	Description	Location
SBA211079-4DRWR	21"W x 10"D x 19"H, Drawer (4" x 3.3" x 1")	Front Curb or Steel Side
SBA42107-1DRWR	42"W x 10"D x 7"H, 1 Drawer (3" x 1")	Horizontal Curb or Street Side
SBA421010-2DRWR	42"W x 10"D x 7"H, 2 Drawer (4" x 2")	Horizontal Curb or Street Side
SBA171019-4DRWR	17"W x 10"D x 19"H, 4 Drawer (4" x 3.3" x 1")	Rear Curb or Street Side

Service Body Options
Options
Retractable Roof - Aluminum roll up roof w/ lockable handle
Sliding Roof - 3 pc aluminum sliding roof assy w/ flip up gate
Horizontal Ladder Rack - Aluminum flat or angled ladder rack
Slide Out Bed - 1200lb capacity slide out deck
Side Pack Mounted Toolboxes - 8" tall toolboxes to provide more storage
Material Rack - Allows storage of pipe, ladders and materials above the body
Headache Rack - Rear window guard w/ light brackets
Spare Tire Holder - Mounts to the side or top of body
E-Track - Mounted in load space, specify amount & location
Cone Holder - Flat or angled cone holder, specific bin location
Extra Shelving - Additional adjustable shelf, specific bin location
Swivel Hooks - Bolt on swivel hooks for inside of bins
Gas Bottle Brackets - Front bin only, comes with vented doors

Aluminum Checkerplate Trim Kits
Top of Side Packs
Load Space Walls

Paint
Paint Process White Paint - Consult Factory For Non-Standard Colours

Lighting
Options
Load Space Lights - 2 or 4 LED lights on sidewall
Pedestal Mount Strobes - Amber strobe on a 18" tall stand
Remote Spot Lights - Radio LED spotlight on a 18" tall stand
Traffic Directors - Splited arrow light
Corner Strobes - 2 mounted in front grill, 2 at the rear of body
Work Lights - LED floodlight, specify location(s)



# 56CA BODIES

Work Packages
Options
Non-Slip Flooring - Rubberized coating for load space and/or bumper
Welder - Contact dealer for more information
Compressor - Contact dealer for more information
Lube Skid - Contact dealer for more information
Hitch / Tow - Contact dealer for more information
Inverter - Contact dealer for more information
Liftgate - Contact dealer for more information

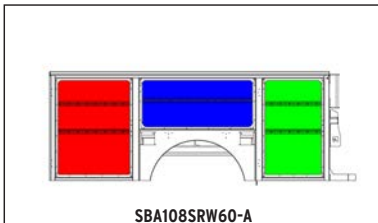


# 60CA BODIES



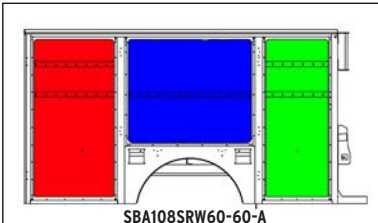
Voth's all-aluminum service body is known for its strength and reliability, crafted from premium 5052-H32 marine-grade aluminum. Its heavy-gauge construction ensures durability on the job site and at 45% lighter than steel, it enhances fuel efficiency and maximizes payload capacity, offering a smarter, more cost-effective solution for your business.

The 60CA line of service bodies offers multiple configurations such as taller body compartments and a fully enclosed body.



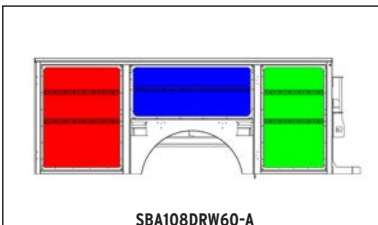
SBA108SRW60-A

Body Length	Body Width	Body Height	Body Material	Compartment Size		
				A (Red)	B (Blue)	C (Green)
108.00 in (9 ft)	81.484 in (6.79 ft)	42.00 in (3.5 ft)	0.125" Welded 5050 - H32 Aluminum	27.62 in x 36.31 in (2.30 ft x 3.02 ft)	42.50 in x 17.68 in (3.54 ft x 1.474 ft)	21.62 in x 36.31 in (1.80 ft x 3.02 ft)



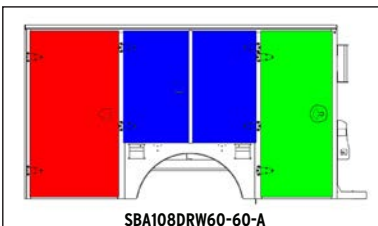
SBA108SRW60-60-A

Body Length	Body Width	Body Height	Body Material	Compartment Size		
				A (Red)	B (Blue)	C (Green)
108.00 in (9 ft)	81.454 in (6.78 ft)	60.00 in (5 ft)	0.125" Welded 5050 - H32 Aluminum	27.50 in x 54.25 in (2.29 ft x 4.52 ft)	42.50 in x 35.56 in (3.54 ft x 2.96 ft)	21.50 in x 54.25 in (1.79 ft x 4.52 ft)



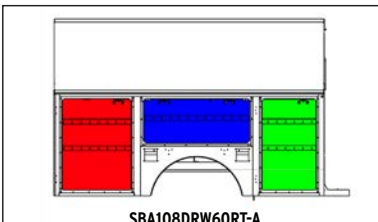
SBA108DRW60-A

Body Length	Body Width	Body Height	Body Material	Compartment Size		
				A (Red)	B (Blue)	C (Green)
108.00 in (9 ft)	97.484 in (8.125 ft)	42.00 in (3.5 ft)	0.125" Welded 5050 - H32 Aluminum	27.62 in x 36.31 in (2.30 ft x 3.02 ft)	42.50 in x 17.68 in (3.54 ft x 1.474 ft)	21.62 in x 36.31 in (1.80 ft x 3.02 ft)



SBA108DRW60-60-A

Body Length	Body Width	Body Height	Body Material	Compartment Size		
				A (Red)	B (Blue)	C (Green)
108.125 in (9 ft)	97.5 in (8.125 ft)	60 in (5 ft)	0.125" Welded 5050 - H32 Aluminum	27.50 in x 54.25 in (2.29 ft x 4.52 ft)	42.50 in x 35.56 in (3.54 ft x 2.96 ft)	21.50 in x 54.25 in (1.79 ft x 4.52 ft)

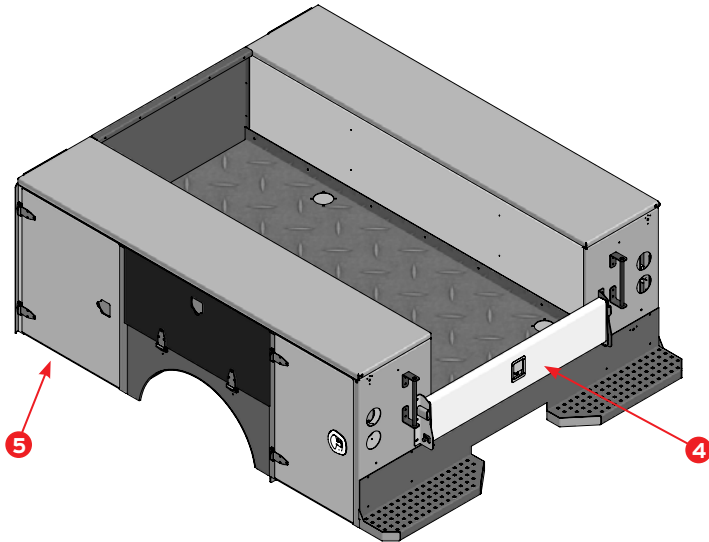


SBA108DRW60RT-A

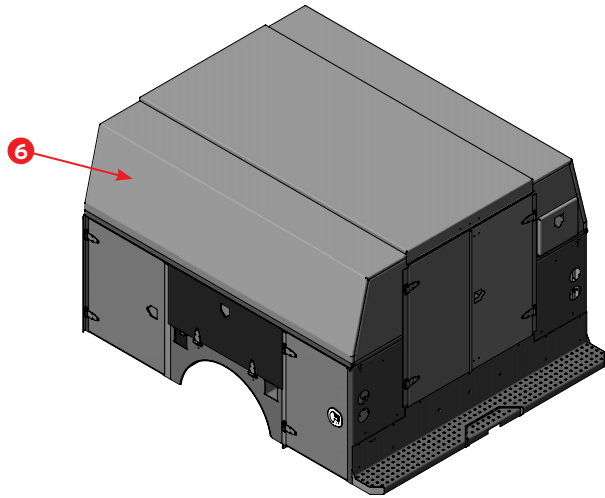
Body Length	Body Width	Body Height	Body Material	Compartment Size		
				A (Red)	B (Blue)	C (Green)
108 in (9 ft)	97.5 in (8.125 ft)	70.5 in (5.875 ft)	0.125" Welded 5050 - H32 Aluminum	27.50 in x 36.25 in (2.29 ft x 3.02 ft)	42.50 in x 17.50 in (3.54 ft x 1.45 ft)	21.50 in x 36.25 in (1.79 ft x 3.02 ft)



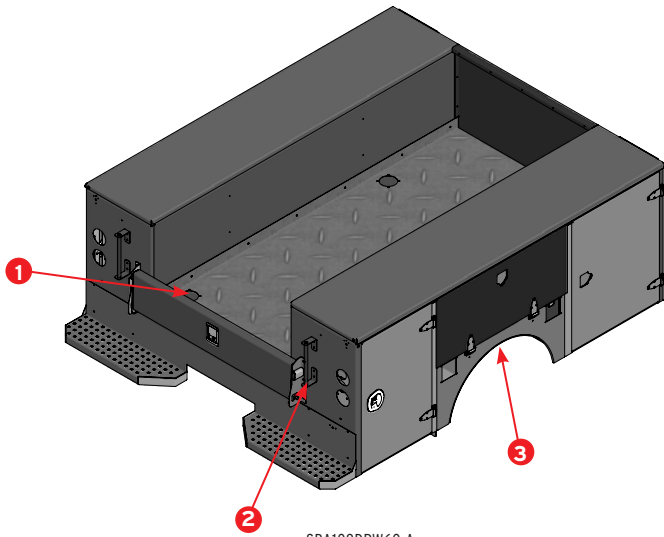
# 60CA BODIES



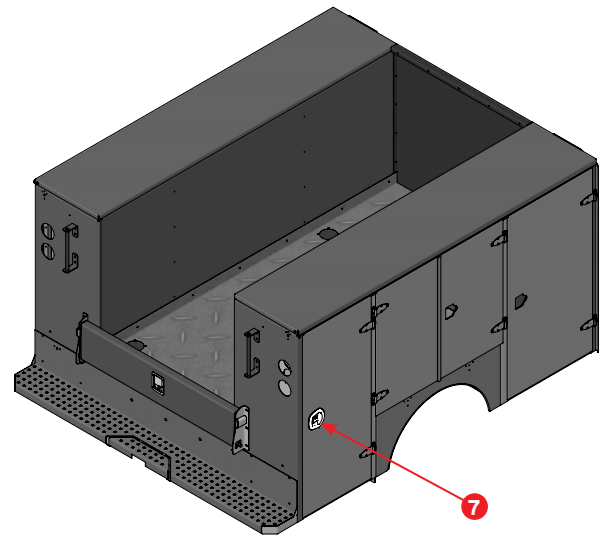
SBA108SRW60-A



SBA108DRW60RT-A-GWA



SBA108DRW60-A



SBA108DRW60-60-A

## STANDARD 60CA SERVICE BODY FEATURES

### Body Features

1. FOUR 2000LBS SWIVEL TIE DOWNS IN LOAD SPACE
2. TWO REAR GRAB HANDLES
3. FRONT GRAVEL GUARDS
4. 11" TAILGATE
5. POWDER COAT WHITE - PAINT
6. FULLY ENCLOSED SERVICE BODY

### Door and Security Features

7. STAINLESS WHALE TAIL HANDLES
8. THREE POINT LOCKING SYSTEM
9. DUAL AUTOMOTIVE DOOR SEALS
10. FORMED DRIP EDGE
11. SHELVING: 2 PER VERTICAL. \*1 ON HORIZONTAL (60" TALL BODY ONLY)
12. MASTER LOCKING SYSTEM

### Lighting Features

13. LED STOP / TAIL / TURN LIGHT
14. LED ROPE LIGHTING IN ALL COMPARTMENTS

# 60CA BODIES

Mounting Kits	
RAM Mounting Kit, 60CA, 2018+	GW-RAM3500-BM-2018
Ford Mounting Kit, 60CA	SB-BM-F350-2017
GM Mounting Kit, 2500/3500, 2017-2018	GW-STDSB-MTG-GM2500-KIT-2018

Bumpers (Optional)	
Standard Bumper, 10" Recesses, 79" Wide	SBASRWBU (Standard SRW / Included)
Standard Bumper, 10" Recessed, 95" Wide	SBADRWBU (Standard DRW / Included)
Workbench Bumper, 21", Recessed, 70" Wide	WBCB-ASSY
Workbench Storage Bumper, 21", Recessed, Stabilizer cut out 95" Wide	GWBU392
Walk-up Platform Bumper, 24" Straight 95" Wide	SBATS-SA
Walk-up Platform Bumper, 34" Straight 95" Wide	SBATS2-SA
Handrail for SBATS	GWHR59-SA

Drawers		
Part Number	Description	Location
SBA211019-4DRWR	21"W x 10"D x 19"H, 4 Drawer (4" x 3.3" x 1")	Front Curb or Steel Side
SBA42107-1DRWR	42"W x 10"D x 7"H, 1 Drawer (3" x 1")	Horizontal Curb or Steel Side
SBA421010-2DRWR	42"W x 10"D x 7"H, 2 Drawer (4" x 2")	Horizontal Curb or Steel Side
SBA171019-4DRWR	17"W x 10"D x 19"H, 4 Drawer (4" x 3.3" x 1")	Rear Curb or Steel Side

Service Body Options	
Options	
Retractable Roof - Aluminum roll up roof w/ lockable handle	
Sliding Roof - 3 pc aluminum sliding roof assy w/ flip up gate	
Non-Slip Flooring - Rubberized coating for load space and/or bumper	
Ladder Rack - Contact Dealer For More Information	
Slide Out Bed - 1200lb capacity slide out deck	
Side Pack Mounted Toolboxes - 8" tall toolboxes to provide more storage	
Material Rack - Allows storage of pipe, ladders and materials above the body	

Aluminum Checkerplate Trim Kits	
Top of Side Packs	
Load Space Walls	

Paint	
Paint Process White Paint - Consult Factor For Non-Standard Colours	

Lighting	
Options	
Load Space Lights - 2 or 4 LED lights on sidewall	
Pedestal Mount Strobes - Amber strobe on a 18" tall stand	
Remote Spot Lights - Radio LED spotlight on a 18" tall stand	
Traffic Directors - Splited arrow light	
Scene Lights - Contact Dealer For More Information	
Corner Strobes - 2 mounted in front grill, 2 at the rear of body	
Work Lights - LED floodlight, specify location(s)	



# 60CA BODIES

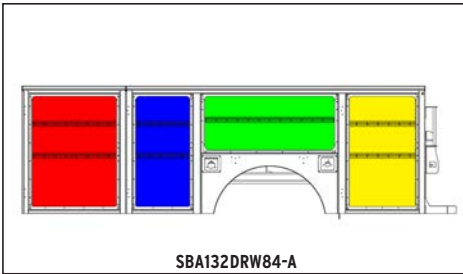
<b>Work Packages</b>
<b>Options</b>
Compartment Reinforcements Kits - Contact Dealer For More Information
Welder - Contact Dealer For More Information
Compressor - Contact Dealer For More Information
Lube Skid - Contact Dealer For More Information
Liftgate - Contact Dealer For More Information



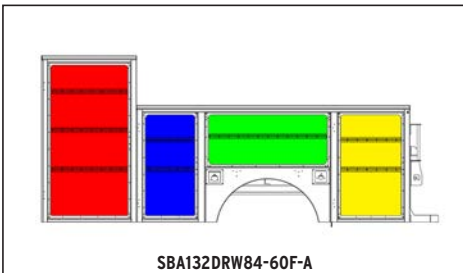
# 84CA BODIES

Voth's all-aluminum service body is known for its strength and reliability, crafted from premium 5052-H32 marine-grade aluminum. Its heavy-gauge construction ensures durability on the job site and at 45% lighter than steel, it enhances fuel efficiency and maximizes payload capacity, offering a smarter, more cost-effective solution for your business.

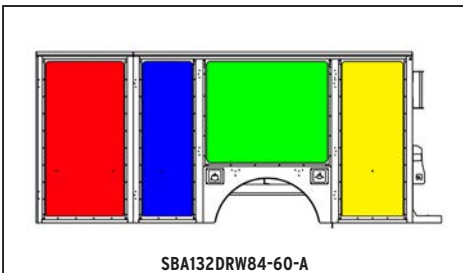
The 84CA line of service bodies offers multiple configurations such as taller body compartments and a fully enclosed body.



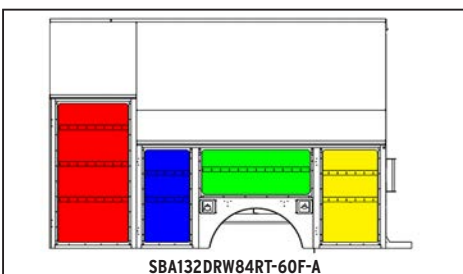
Body Length	Body Width	Body Height	Body Material	Compartment Size			
				A (Red)	B (Blue)	C (Green)	D (Yellow)
132.00 in (11 ft)	97.484 in (8.12 ft)	42.00 in (3.5 ft)	0.125" Welded 5052 - H32 Aluminum	27.62 in x 36.31 in (2.30 ft x 3.02 ft)	17.62 in x 36.31 in (1.46 ft x 3.02 ft)	42.50 in x 17.68 in (3.54 ft x 1.474 ft)	21.62 in x 36.31 in (1.80 ft x 3.02 ft)



Body Length	Body Width	Body Height	Body Material	Compartment Size			
				A (Red)	B (Blue)	C (Green)	D (Yellow)
132.00 in (11 ft)	97.484 in (8.12 ft)	60.00 in / 42.00 in (5 ft / 3.5 ft)	0.125" Welded 5050 - H32 Aluminum	27.62 in x 54.31 in (2.30 ft x 4.52 ft)	17.62 in x 36.31 in (1.46 ft x 3.02 ft)	42.50 in x 17.68 in (3.54 ft x 1.474 ft)	21.62 in x 36.31 in (1.80 ft x 3.02 ft)

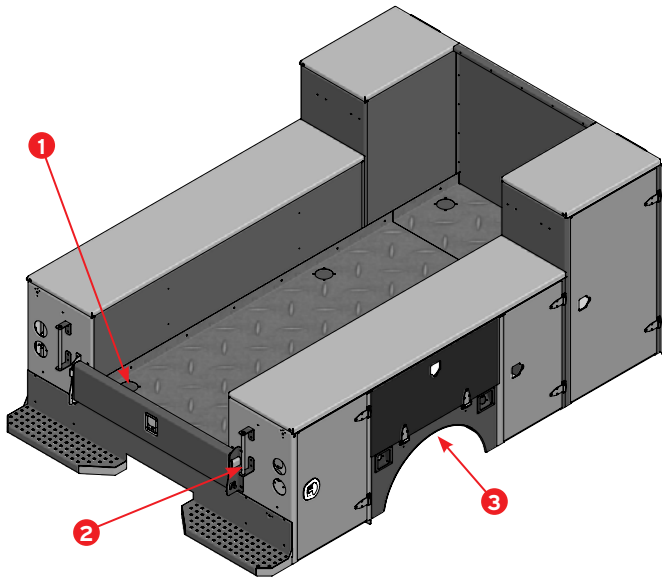


Body Length	Body Width	Body Height	Body Material	Compartment Size			
				A (Red)	B (Blue)	C (Green)	D (Yellow)
132.00 in (11 ft)	97.484 in (8.12 ft)	60 in (5 ft)	0.125" Welded 5050 - H32 Aluminum	27.50 in x 54.25 in (2.29 ft x 4.52 ft)	17.50 in x 54.25 in (1.45 ft x 4.52 ft)	42.50 in x 35.50 in (3.54 ft x 2.95 ft)	21.50 in x 54.25 in (1.79 ft x 4.52 ft)

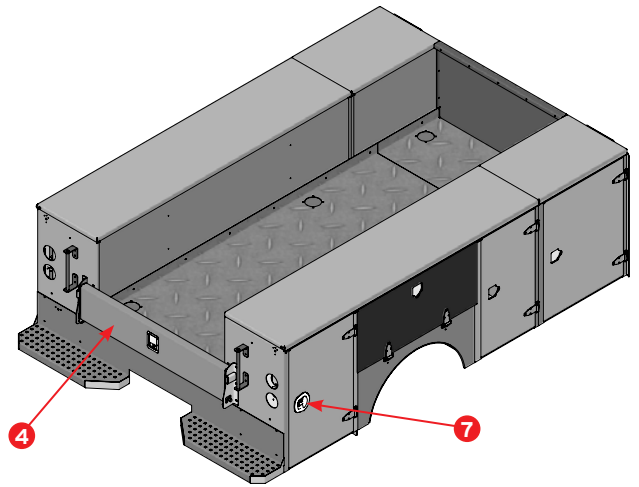


Body Length	Body Width	Body Height	Body Material	Compartment Size			
				A (Red)	B (Blue)	C (Green)	D (Yellow)
132.00 in (11 ft)	97.484 in (8.12 ft)	88.625 in (7.38 ft)	0.125" Welded 5050 - H32 Aluminum	27.50 in x 54.25 in (2.29 ft x 4.52 ft)	17.50 in x 36.25 in (1.45 ft x 3.02 ft)	42.50 in x 17.50 in (3.54 ft x 1.45 ft)	21.50 in x 36.25 in (21.50 ft x 3.02 ft)

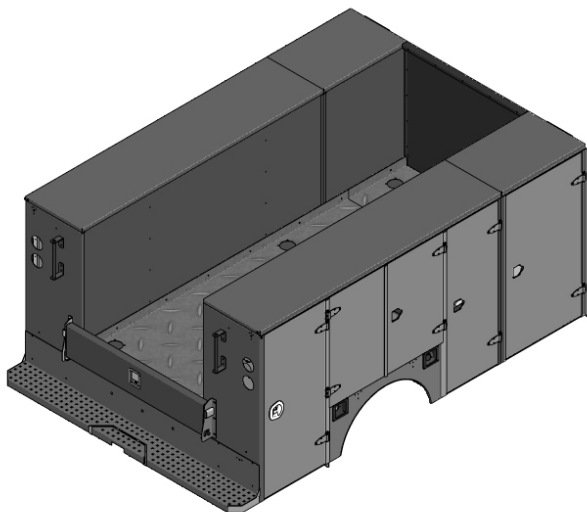
# 84CA BODIES



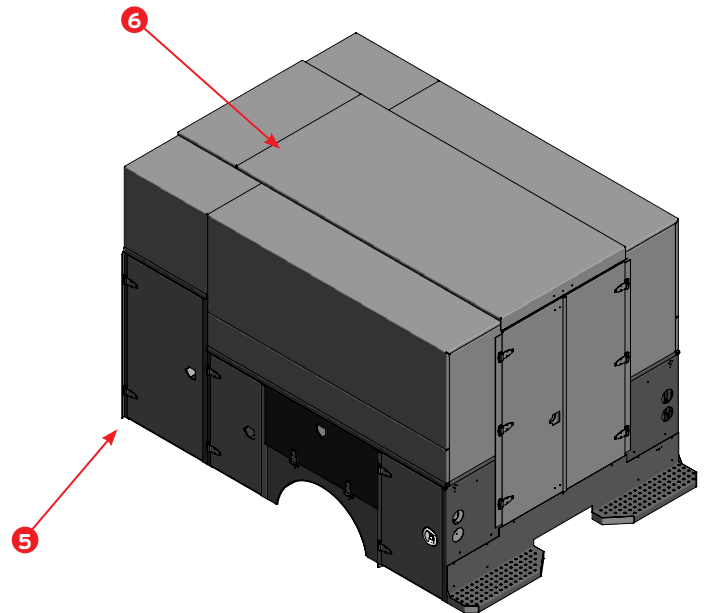
SBA132DRW84-60F-A



SBA132DRW84-A



SBA132DRW84-60-A



SBA132DRW84RT-60F-A

## STANDARD 84CA SERVICE BODY FEATURES

### Body Features

1. SIX 2000LBS SWIVEL TIE DOWNS IN LOAD SPACE
2. TWO REAR GRAB HANDLES
3. FRONT GRAVEL GUARDS
4. 11" TAILGATE
5. POWDER COAT WHITE - PAINT
6. FULLY ENCLOSED SERVICE BODY

### Door and Security Features

7. STAINLESS WHALE TAIL HANDLES
8. THREE POINT LOCKING SYSTEM
9. DUAL AUTOMOTIVE DOOR SEALS
10. FORMED DRIP EDGE
11. SHELVING: 2 PER VERTICAL. \*1 ON HORIZONTAL ONLY AVAILABLE ON 60" BODY\*
12. MASTER LOCKING SYSTEM
13. GAS SHOCK DOOR HOLDERS (VERTICAL), CHAINS HORIZONTAL

### Lighting Features

14. LED STOP / TAIL / TURN LIGHT
15. LED ROPE LIGHTING IN ALL COMPARTMENTS



# 84CA BODIES

Mounting Kits	
RAM Mounting Kit, 84CA	GW-STDSB-MTG-DODGE-KIT
Ford Mounting Kit, 84CA	ASB84DRW-BM-8

Bumpers	
Standard Bumper, 10" Recessed, 95" Wide	SBADRWBU (Standard DRW / Included)
Workbench Storage Bumper, 21" Recessed, Stabilizer cut out 95" Wide	GWBU392
Walk-up Platform Bumper, 24" Straight, 95" Wide	SBATS-SA
Walk-up Platform Bumper, 34" Straight, 95" Wide	SBATS2-SA
Handrail For SBATS	GWHR59-SA

Drawers		
Part Number	Size	Location
SBA271822-5DRWR	27"W x 18"D x 22"H, 5 Drawer (5" x 1,3" x 4")	Front Curb or Street Side
SBA271833-7DRWR	27"W x 18"D x 33"H, 7 Drawer (7" x 1,5" x 5")	Front Curb or Street Side
SBA171822-5DRWR	17"W x 18"D x 22"H, 5 Drawer (5" x 1,3" x 4")	Second Cabinet Curb or Street Side
SBA42187-1DRWR	42"W x 18"D x 7"H, 1 Drawer (3" x 1")	Horizontal Curb or Street Side
SBA421810-2DRWR	42"W x 18"D x 10"H, 2 Drawer (4" x 2")	Horizontal Curb or Street Side
SBA211822-5DRWR	21"W x 18"D x 22"H, 5 Drawer (5" x 1,3" x 4")	Rear Curb or Street Side
SBA211833-7DRWR	21"W x 18"D x 33"H, 7 Drawer (7" x 1,5" x 5")	Rear Curb or Street Side

Service Body Options	
Options	
Retractable Roof - Aluminum roll up roof w/ lockable handle	
Non-Slip Flooring - Rubberized coating for load space and/or bumper	
Spray on-bed liners - Contact Dealer For More Information	
Ladder Rack - Contact Dealer For More Information	
Slide Out Bed - 1200lb capacity slide out deck	
Side Pack Mounted Toolboxes - 8" tall toolboxes to provide more storage	
Material Rack - Allows storage of pipe, ladders and materials above the body	

Aluminum Checkerplate Trim Kits	
Top of Side Packs	
Load Space Walls	

Paint	
Consult Factor For Non-Standard Colours	

Lighting	
Options	
Load Space Lights - 2 or 4 LED lights on sidewall	
Pedestal Mount Strobes - Amber strobe on a 18" tall stand	
Remote Spot Lights - Radio LED spotlight on a 18" tall stand	
Traffic Directors - Splited arrow light	
Scene Lights - Contact Dealer For More Information	
Corner Strobes - 2 mounted in front grill, 2 at the rear of body	
Work Lights - LED floodlight, specify location(s)	

# 84CA BODIES

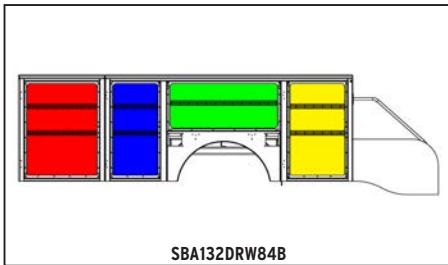
<b>Work Packages</b>
<b>Options</b>
Compartment Reinforcements Kits - Contact Dealer For More Information
Welder - Contact Dealer For More Information
Compressor - Contact Dealer For More Information
Lube Skid - Contact Dealer For More Information
Liftgate - Contact Dealer For More Information



# AERIAL BODIES

Voth's all-aluminum service body is known for its strength and reliability, crafted from premium 5052-H32 marine-grade aluminum. Its heavy-gauge construction ensures durability on the job site and at 45% lighter than steel, it enhances fuel efficiency and maximizes payload capacity, offering a smarter, more cost-effective solution for your business.

Voth Service Bodies can be configured with re-enforced mounting pedestal and bumper work bench to easily integrate aerial equipment.

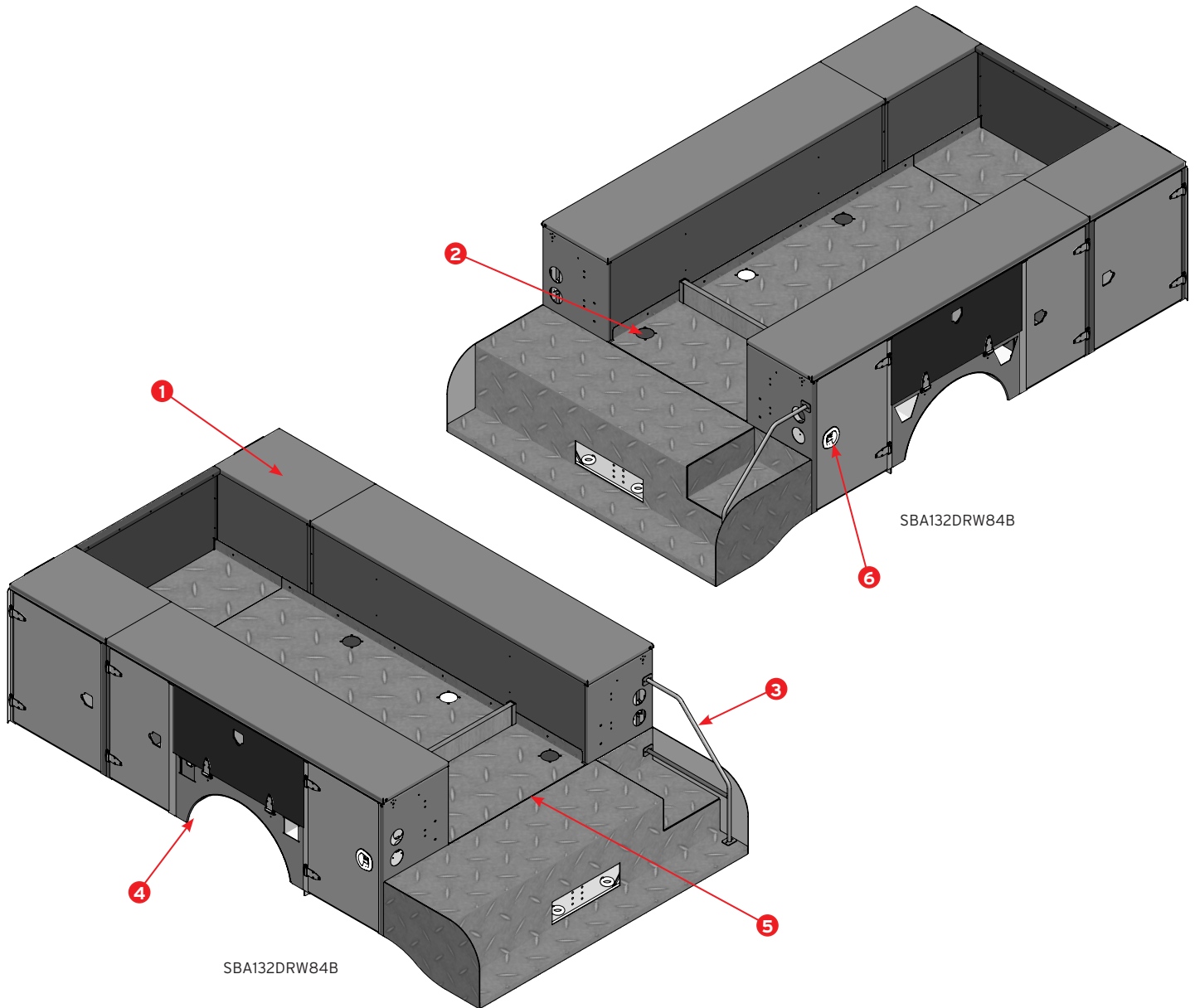


Body Length	Body Width	Body Height	Body Material	Compartment Size			
				A (Red)	B (Blue)	C (Green)	D (Yellow)
132.00 in (11 ft)	95.250	42.00 in (3.5 ft)	0.125" Welded 5050 - H32 Aluminum	27.62 in x 36.31 in (2.30 ft x 3.02 ft)	17.62 in x 36.31 in (1.46 ft x 3.02 ft)	42.50 in x 17.68 in (3.54 ft x 1.474 ft)	21.62 in x 36.31 in (1.80 ft x 3.02 ft)

**\*CONSULT FACTORY FOR ADDITIONAL BODY CONFIGURATIONS\***



# AERIAL BODIES



## STANDARD AERIAL SERVICE BODY FEATURES

### Body Features

1. POWDER COAT WHITE - PAINT
2. SIX 2000LB SWIVEL TIE DOWNS IN LOAD SPACE
3. REAR GRAB HANDLES
4. FRONT GRAVEL GUARDS
5. 11" TAILGATE

### Door and Security Features

6. STAINLESS WHALE TAIL HANDLES
7. THREE POINT LOCKING SYSTEM
8. DUAL AUTOMOTIVE DOOR SEALS
9. FORMED DRIP EDGE
10. SHELVING: 2 PER VERTICAL. 1 ON HORIZONTAL
11. RIGHT REAR HAS 6 J-HOOKS INSTEAD OF SHELVING
12. MASTER LOCKING SYSTEM
13. GAS SHOCK DOOR HOLDERS (VERTICAL), CHAINS (HORIZONTAL)

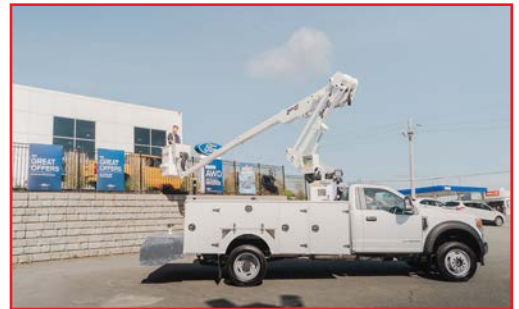
### Lighting Features

14. LED STOP / TAIL / TURN LIGHT
15. LED ROPE LIGHTING IN ALL COMPARTMENTS

# AERIALS BODIES

<b>Mounting Kits</b>		
Aerial Body Mounting Lit	ASB84DRW-BM-8 (being redeveloped)	
<b>Bumpers (not included for aerial bodies)</b>		
Standard Bumper, 10" Recessed, 95" Wide	SBADRWBU	
Walk-up Platform Bumper, 24" Straight, 95" Wide	SBATS-SA	
Walk-up Platform Bumper, 34" Straight, 95" Wide	SBATS2-SA	
Handrail for SBATS	GWHR59-SA	
<b>Drawers</b>		
Part Number	Size	Location
SBA271822-5DRWR	27"W x 18"D x 22"H, 5 Drawer (5" x 1,3" x 4")	Front Curb or Street Side
SBA271833-7DRWR	27"W x 18"D x 33"H, 5 Drawer (7" x 1,5" x 5")	Front Curb or Street Side
SBA171822-5DRWR	17"W x 18"D x 22"H, 5 Drawer (5" x 1,3" x 4")	Second Cabinet Curb or Street Side
SBA42187-1DRWR	42"W x 18"D x 7"H, 1 Drawer (3" x 1")	Horizontal Curb or Street Side
SBA421810-2DRWR	42"W x 18"D x 10"H, 2 Drawer (4" x 2")	Horizontal Curb or Street Side
SBA211822-5DRWR	21"W x 18"D x 22"H, 5 Drawer (5" x 1,3" x 4")	Rear Curb or Street Side
SBA211833-7DRWR	21"W x 18"D x 33"H, 7 Drawer (7" x 1,5" x 5")	Rear Curb or Street Side
<b>Service Body Options</b>		
<b>Options</b>		
Non-Slip Flooring - Rubberized coating for load space and/or bumper		
Spray on-bed liners - Contact Dealer For More Information		
Ladder Rack - Contact Dealer For More Information		
Side Pack Mounted Toolboxes - 8" tall toolboxes to provide more storage		
<b>Add Ons</b>		
<b>Options</b>		
E-Track in load space - Contact Dealer For More Information		
Cone holder (bumper / flat mounted) - Contact Dealer For More Information		
Extra shelving - Contact Dealer For More Information		
Spare tire rack - Contact Dealer For More Information		
Swivel hooks - Contact Dealer For More Information		
Headache rack - Contact Dealer For More Information		
<b>Aluminum Checkerplate Trim Kits</b>		
Top of Side Packs		
Load Space Walls		
<b>Paint</b>		
Consult Factor For Non-Standard Colours		
<b>Lighting</b>		
<b>Options</b>		
Load Space Lights - 2 or 4 LED lights on sidewall		
Pedestal Mount Strobes - Amber strobe on a 18" tall stand		
Remote Spot Lights - Radio LED spotlight on a 18" tall stand		
Traffic Directors - Splited arrow light		
Scene Lights - Contact Dealer For More Information		
Corner Strobes - 2 mounted in front grill, 2 at the rear of body		
Work Lights - LED floodlight, specify location(s)		

# AERIALS BODIES



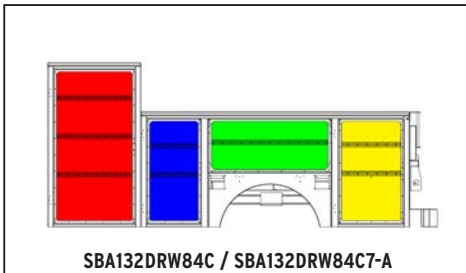


# CRANE BODIES

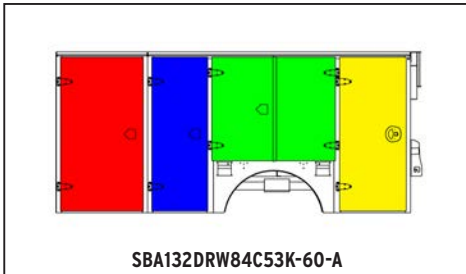


Voth's all-aluminum crane body is known for its strength and reliability, crafted from premium 5052-H32 marine-grade aluminum. Its heavy-gauge construction ensures durability on the job site and at 45% lighter than steel, it enhances fuel efficiency and maximizes payload capacity, offering a smarter, more cost-effective solution for your business.

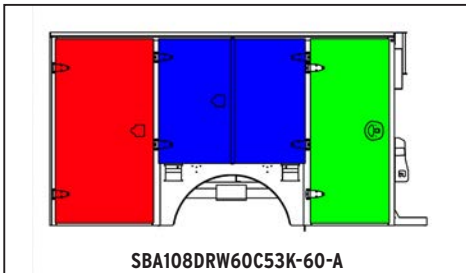
Ideal selection for mechanics, these bodies featured a crane tower and re-enforced cabinet to support service cranes.



Body Length	Body Width	Body Height	Body Material	Compartment Size			
				A (Red)	B (Blue)	C (Green)	D (Yellow)
132.00 in (11 ft)	95.25 in (7.93 ft)	60.00 in (5 ft)	0.125" Welded 5050 - H32 Aluminum	27.50 in x 54.25 in (2.29 ft x 4.52 ft)	17.50 in x 36.25 in (1.45 ft x 3.02 ft)	42.50 in x 17.50 (3.54 ft x 1.45 ft)	21.50 in x 36.25 in (1.79 ft x 3.02)

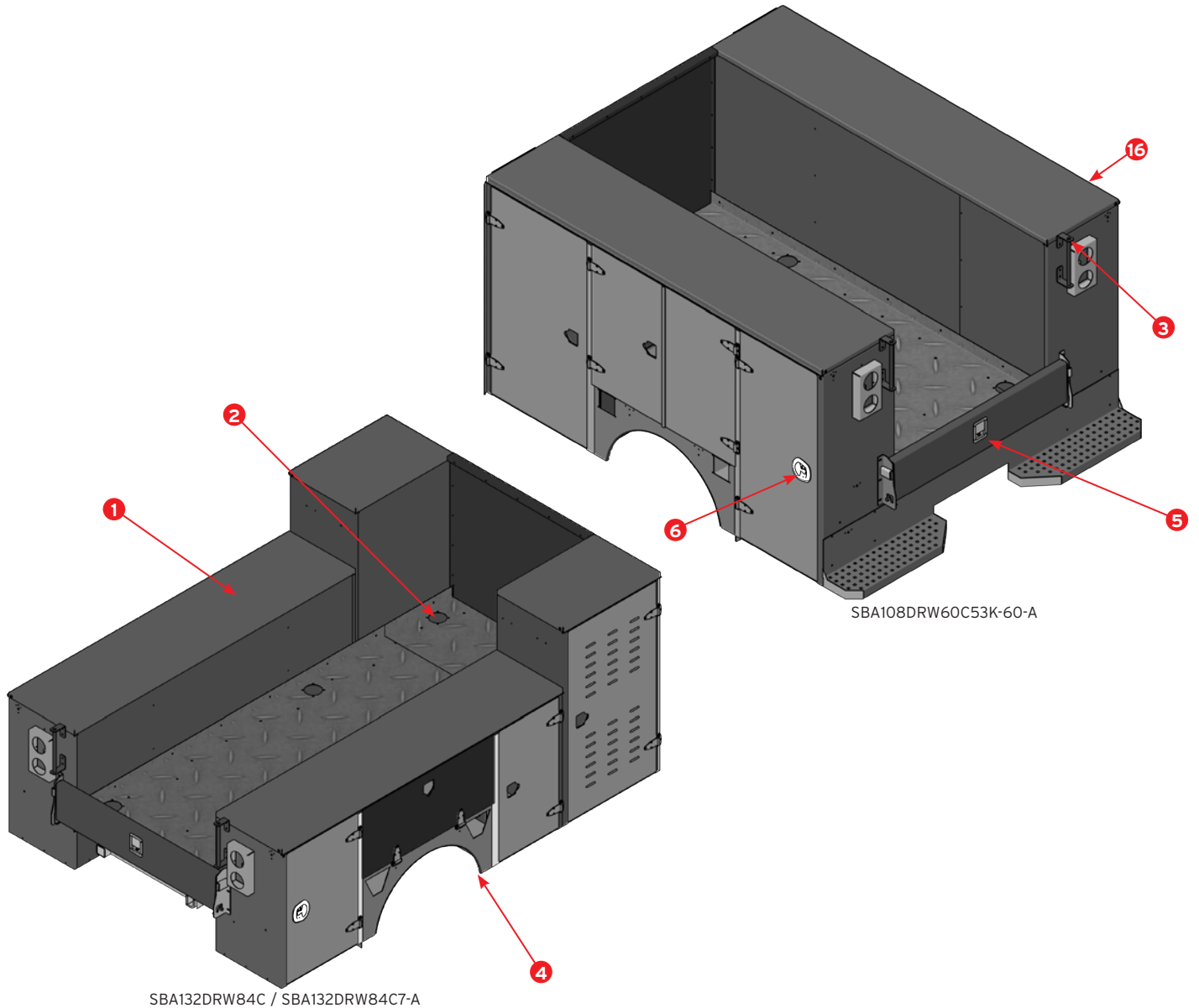


Body Length	Body Width	Body Height	Body Material	Compartment Size			
				A (Red)	B (Blue)	C (Green)	D (Yellow)
132.00 in (11 ft)	95.25 in (7.93 ft)	60.00 in (5 ft)	0.125" Welded 5050 - H32 Aluminum	27.50 in x 54.25 in (2.29 ft x 4.52 ft)	17.50 in x 54.25 in (1.45 ft x 4.52 ft)	42.50 in x 35.50 in (3.54 ft x 2.95 ft)	21.50 in x 54.25 in (1.79 ft x 4.52 ft)



Body Length	Body Width	Body Height	Body Material	Compartment Size		
				A (Red)	B (Blue)	C (Green)
108.00 in (9.00 ft)	97.50 in (8.12 ft)	60.00 in (5.00 ft)	0.125" Welded 5050 - H32 Aluminum	27.50 in x 54.25 in (2.29 ft x 4.52 ft)	42.50 in x 35.50 in (3.54 ft x 2.95 ft)	21.50 in x 54.25 in (1.79 ft x 4.52 ft)

# CRANE BODIES



## STANDARD CRANE BODY FEATURES

### Body Features

1. POWDER COAT WHITE - PAINT
2. SIX 2000LB SWIVEL TIE DOWNS IN LOAD SPACE
3. TWO REAR GRAB HANDLES
4. FRONT GRAVEL GUARDS
5. 11" TAILGATE

### Door and Security Features

6. STAINLESS WHALE TAIL HANDLES
7. THREE POINT LOCKING SYSTEM
8. DUAL AUTOMOTIVE DOOR SEALS
9. FORMED DRIP EDGE
10. SHELVING: 2 PER VERTICAL (42" AND 3 ON 60"). 1 ON HORIZONTAL
11. SHELVING: 60" PASSENGER SIDE VENTED W/ BOTTLE BRACKET
12. MASTER LOCKING SYSTEM
13. GAS SHOCK DOOR HOLDERS (VERTICAL) < CHAINS (HORIZONTAL)

### Lighting Features

14. LED STOP / TAIL / TURN LIGHT
15. LED ROPE LIGHTING IN ALL COMPARTMENTS
16. CRANE TOWER RATING: 30'000 TO 52,000 FT.LBS, REAR MOUNT CABINET MATERIAL: STRENX 100 XF ±" THICK AND 5/16" THICK STEEL, COMPATIBLE CRANES: 5,500 TO 8,000 LBS. SERIES CRANES, REAR CABINET DIMENSIONS: 27.75"W X 54.25"H



# CRANE BODIES

<b>Mounting Kits</b>	
Crane Body Mounting Kit	GW-FORD84CA-CBMTG-KIT-2022

<b>Bumpers (not included for crane bodies)</b>	
Low profile crane bumper, Stabilizer cut out, 95" Wide	SBADRWBUC
Workbench storage bumper, 21" Recessed, Stabilizer cut out 95" Wide	GWB4392

<b>Drawers</b>		
Part Number	Size	Location
SBA271822-5DRWR	27"W x 18"D x 22"H 5 Drawer (5" x 1,3" x 4")	Front Curb or Street Side
SBA271833-7DRWR	27"W x 18"D x 33"H 7 Drawer (7" x 1,5" x 1,3" x 5")	Front Curb or Street Side
SBA171822-5DRWR	17"W x 18"D x 22"H 5 Drawer (5" x 1,3" x 4")	Second Cabinet Curb or Street Side
SBA42187-1DRWR	42"W x 18"D x 7"H 1 Drawer (3" x 1")	Horizontal Curb or Street Side
SBA421810-2DRWR	42"W x 18"D x 10"H 2 Drawer (4" x 2")	Horizontal Curb or Street Side
SBA211822-5DRWR	21"W x 18"D x 22"H 5 Drawer (5" x 1,3" x 4")	Rear Curb or Street Side
SBA211833-7DRWR	21"W x 18"D x 33"H 7 Drawer (7" x 1,5" x 1,3" x 5")	Rear Curb or Street Side

<b>Service Body Options</b>	
<b>Options</b>	
Retractable Roof - Contact Dealer For More Information	
Non-slip floor - Contact Dealer For More Information	
Spray on-bed liners - Contact Dealer For More Information	
Ladder Rack - Contact Dealer For More Information	
Slide Out Bed - Contact Dealer For More Information	
Side Pack Mounted Toolboxes - Contact Dealer For More Information	

<b>Add Ons</b>	
<b>Options</b>	
E-Track in load space - Contact Dealer For More Information	
Cone holder (bumper / flat mounted) - Contact Dealer For More Information	
Extra shelving - Contact Dealer For More Information	
Spare tire rack - Contact Dealer For More Information	
Swivel hooks - Contact Dealer For More Information	
Headache rack - Contact Dealer For More Information	
Gas bottle brackets - Contact Dealer For More Information	

<b>Aluminum Checkerplate Trim Kits</b>	
Top of Side Packs	
Load Space Walls	

<b>Paint</b>	
Consult Factor For Non-Standard Colours	

<b>Work Packages</b>	
<b>Options</b>	
Compartment Reinforcements Kits - Contact Dealer For More Information	
Welder - Contact Dealer For More Information	
Compressor - Contact Dealer For More Information	
Lube Side / Packages - Contact Dealer For More Information	
Liftgate - Contact Dealer For More Information	



# CRANE BODIES

<b>Lighting</b>
<b>Options</b>
Load Space Lights - 2 or 4 LED lights on sidewall
Pedestal Mount Strobes - Amber strobe on a 18" tall stand
Remote Spot Lights - Radio LED spotlight on a 18" tall stand
Traffic Directors - Splited arrow light
Scene Lights - Contact Dealer For More Information
Corner Strobes - 2 mounted in front grill, 2 at the rear of body
Work Lights - LED floodlight, specify location(s)
<b>Cranes</b>
<b>Options</b>
Stellar - Contact Dealer For More Information
TBD - Contact Dealer For More Information
TBD - Contact Dealer For More Information
<b>Stabilizers</b>
<b>Options</b>
OB-TD-EML-PMS-BIG - 45K Manual out / down stabilizer
1B-TD-EMLS-CR-PJ-BIG - 53K Manual Out, Hydraulic down stabilizer
1B-TD-EHL/S-CR-PJ-BIG - 53K Hydraulic out / down stabilizer



## VOTH WARRANTY

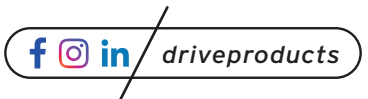
Voth Truck Bodies provides a 3-year warranty on items manufactured by Voth Truck Bodies.

## VENDOR WARRANTY POLICIES

Telescopic cylinders come with a 1-year manufacturers warranty.

Electric/ Hydraulic power packs come with a 1-year manufacturers warranty.

## CONNECT WITH US ON OUR SOCIALS!



## KEY CONTACTS

**FRANK VOTH** - *President & Sales Canadian Distributor Inquiries*

**T:** 519.842.7200 x 3142 **F:** 519.842.7230 **E:** frank@vothsales.com

**STEVE VOTH** - *Operations Manager*

**T:** 519.842.7200 x 3143 **F:** 519.842.7230 **E:** steve@vothsales.com

**CHRIS GOLETZ** - *US Sales Eastern USA*

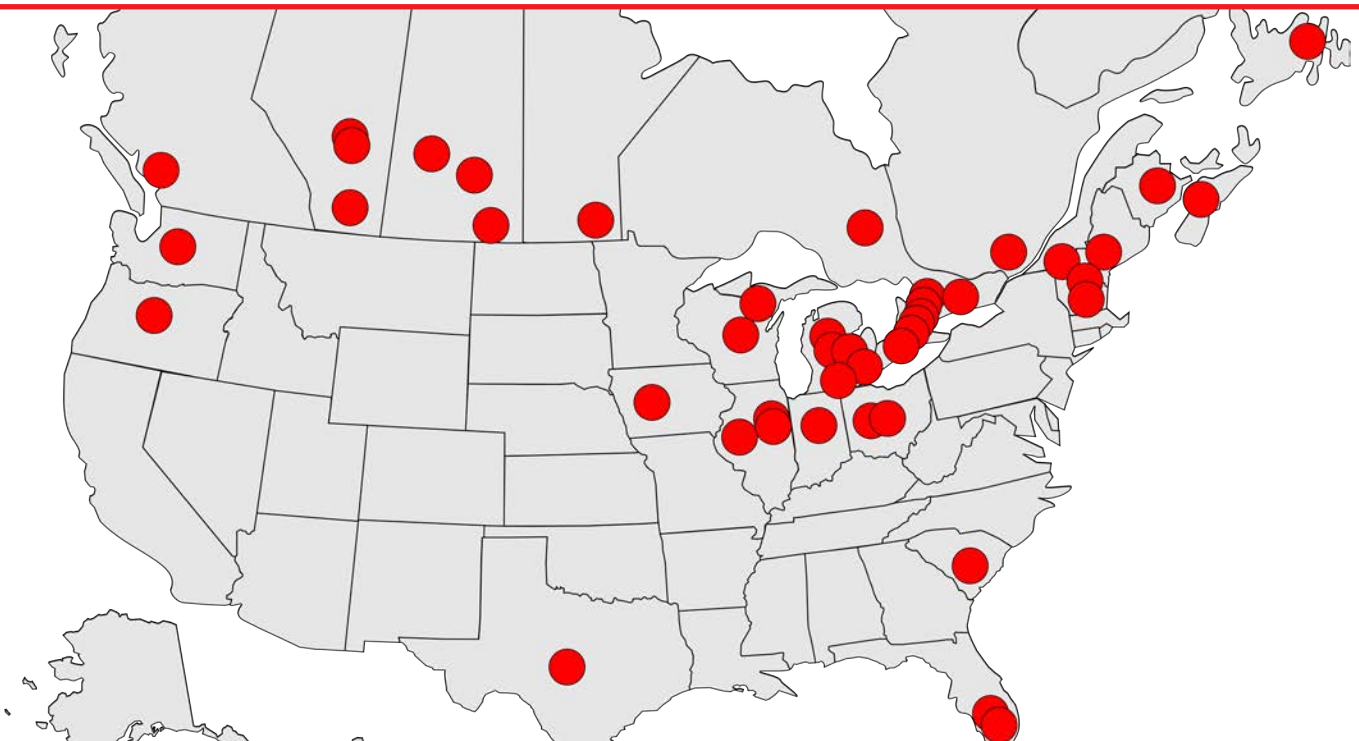
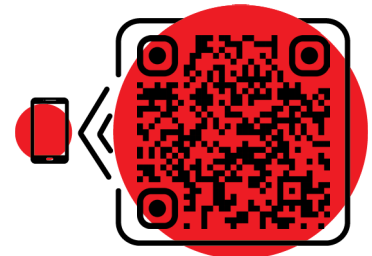
**T:** 262.294.1588 **E:** cgoletz@driveproducts.com

**KENAN COLIC** - *Manufacturing Division Inside Sales*

**T:** 1.800.668.6012 x 3148 **E:** vothdistribution@driveproducts.com

## DISTRIBUTOR MAP

To find your distributor please visit  
[vothtruckbodies.com/distributor-map](http://vothtruckbodies.com/distributor-map)







Voth Truck Bodies serves Canada and the U.S. with steel, aluminum, and hybrid truck bodies. Supporting a variety of industries, Voth has built a strong relationship with the landscape and tree care industries with their unibody dump body design and a range of chipper body and forestry body designs. A member of Drive Products Manufacturing, Voth Truck Bodies are now manufactured in three facilities across Canada. In addition to Voth's signature line of truck bodies, these facilities also manufacture Kargo King Roll-Off Systems, Big Max Roll-Off Systems and more.



Courtland Manufacturing Facility: 130,000 sq.ft



Morden Manufacturing Facility: 56,000 sq.ft



Winsor Manufacturing Facility: 85,000 sq.ft



- 66 Norfolk County Rd #13 Courtland ON NOJ 1E0
- 519.842.7200
- [vothdistribution@driveproducts.com](mailto:vothdistribution@driveproducts.com)

For more info visit our websites:  
[www.vothtruckbodies.com](http://www.vothtruckbodies.com)  
[www.driveproducts.com](http://www.driveproducts.com)